

HD ELITE ID CUSTOM POWER HALF COMBO RACK

ELT-PHCR-ID

Parts Manual

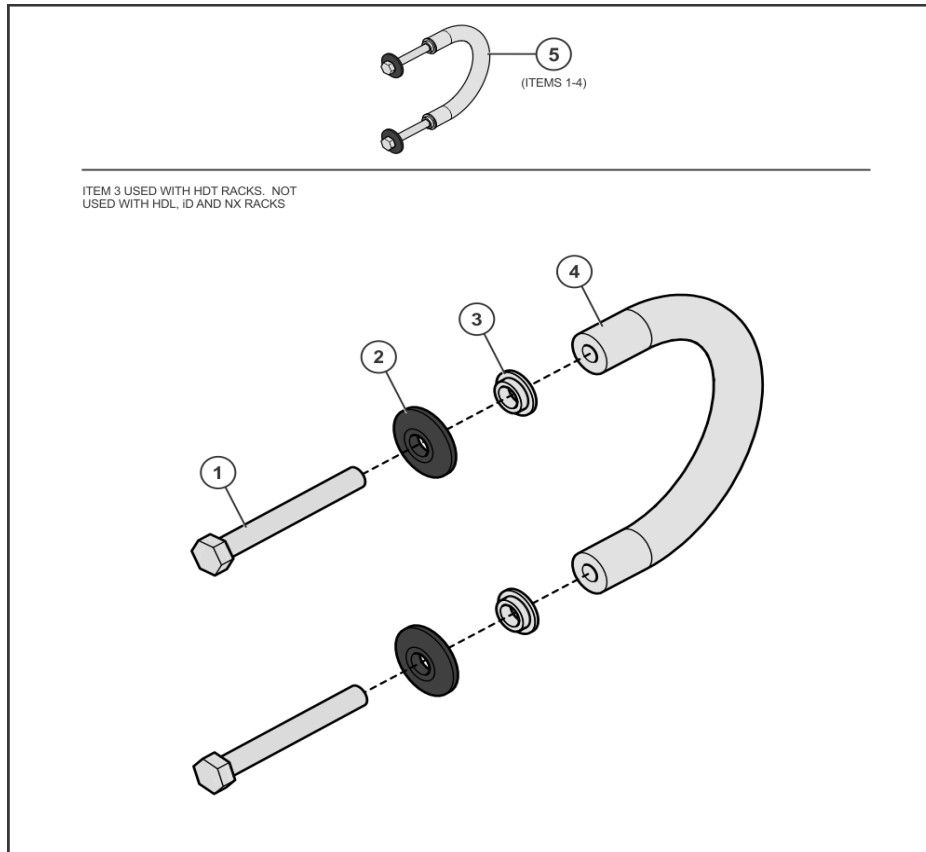
2/14/2024 11:41:08 AM

Table of Contents

Add-On - Battle Rope.....	4
Add-On - Dip.....	5
Add-On - Dock N Lock.....	6
Add-On - Heavy Bag Hanger.....	7
Add-On - Lightning Arms Left Handle.....	8
Add-On - Lightning Arms Right Handle.....	9
Add-On - Lightning Arms Support Bracket.....	10
Add-On - Lightning Arms Work Arm Left.....	11
Add-On - Lightning Arms Work Arm Right.....	13
Add-On - Nordic Ham.....	15
Add-On - Power Pivot.....	16
Add-On - Power Pivot Bolt-in.....	17
Add-On - Sign.....	18
Add-On - Spotter Platform Left.....	19
Add-On - Spotter Platform Right.....	20
Add-On - Utility Band Peg.....	21
Add-On - Utility Pad.....	22
Add-On - Wall Ball Target.....	23
Bar Catch - PR.....	24
Bar Catch - PR Flexible.....	25
Bar Catch - 4X3 HR Left.....	26
Bar Catch - 4X3 HR Right.....	27
Bar Support 4X3 HR Left.....	28
Bar Support 4X3 HR Right.....	29
Frame - Anvil Plate.....	30
Frame - Crossmembers.....	31
Frame - Crossmembers Rear.....	32
Frame - Rack Connectors.....	33
Frame - Stability Foot.....	34
Frame - 8 Foot Storage Upright.....	35
Frame - 8 Foot Training Upright.....	36
Frame - 9 Foot Training Upright.....	37
Hardware - Kit ELT-MST.....	38
Hardware - Kit 1.....	39
Hardware - Kit 3.....	40
Pull-up - Arc Bar.....	41
Pull-up - Ballistic Wing.....	42
Pull-up - Ball Grip.....	43
Pull-up - Neutral Grip.....	44
Pull-up - Perch Arc.....	45
Pull-up - Straight.....	46
Pull-up - Straight Adj. Rotating.....	47
Pull-up - Wing.....	48
Pull-up - 3-Handle.....	49
Storage - Modular Accessory Shelf.....	50

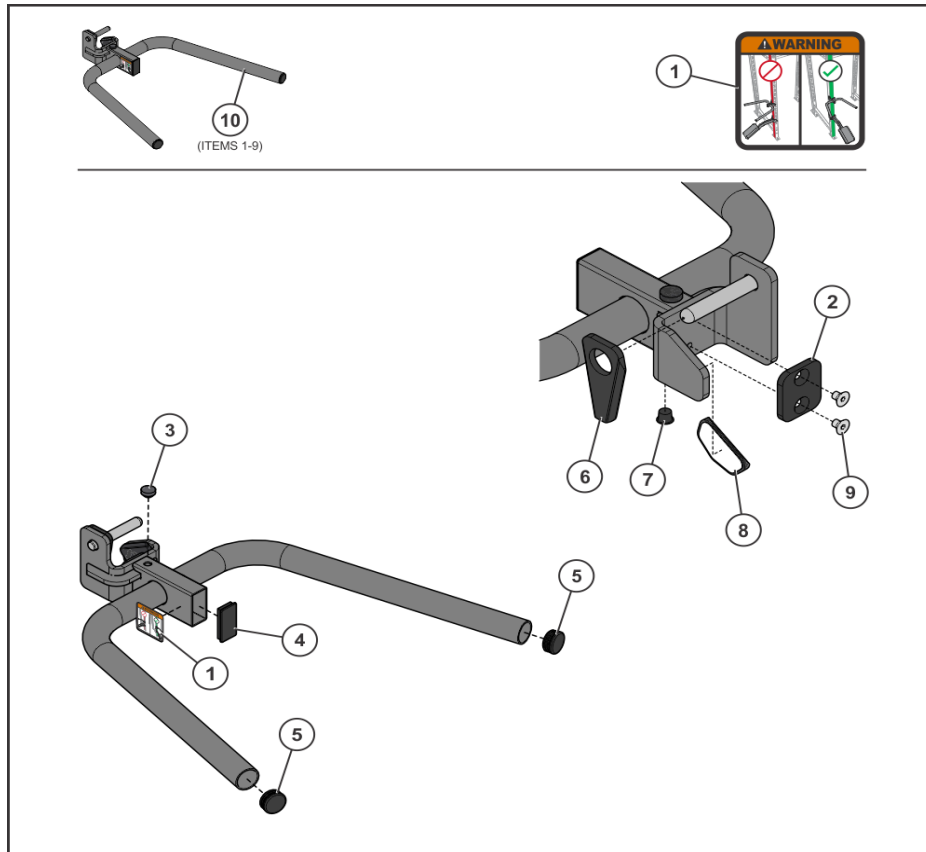
Storage - Bar Holder Single.....	51
Storage - Bar Holder Thick.....	52
Storage - Bar Holder 2.....	53
Storage - Bullhorn.....	54
Storage - Dumbbell Tray 72 Inch.....	55
Storage - Kettle Bell Tray 72 Inch.....	56
Storage - Low Bar.....	57
Storage - Modular Bumper Tray.....	58
Storage - Modular Frame.....	59
Storage - Modular Powerblock Tray.....	60
Storage - Plate Divider.....	61
Storage - Stability Ball 72 Inch.....	62
Storage - Top Ball.....	63
Storage - Utility.....	64
Storage - Weight Horn Horizontal.....	65
Storage - Weight Horn 11 Inch.....	66
Storage - Weight Horn 7 Inch.....	67
Storage - 2-Pipe 72 Inch.....	68

Add-On - Battle Rope



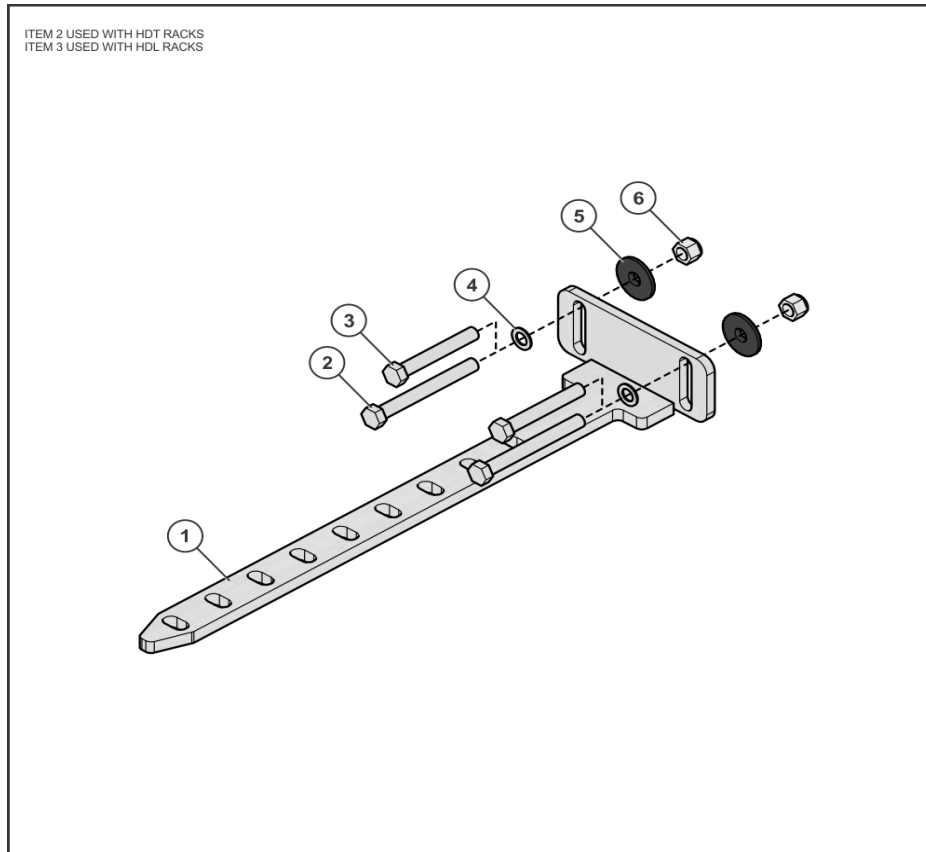
Ref #	Part Number	Qty	Description
1	HHB.5X4	2	1/2 X 4 BOLT
2	H-BACK-WASH	2	BACKING WASHER
3	1018031-0001	2	WASHER: STEP, 1/2 IN., 0.20 IN. DEEP
4	1022402-0001	1	BATTLE ROPE: THREADED
5	1022546-0001	1	ASSEMBLY: BATTLE ROPE ATTACHMENT

Add-On - Dip



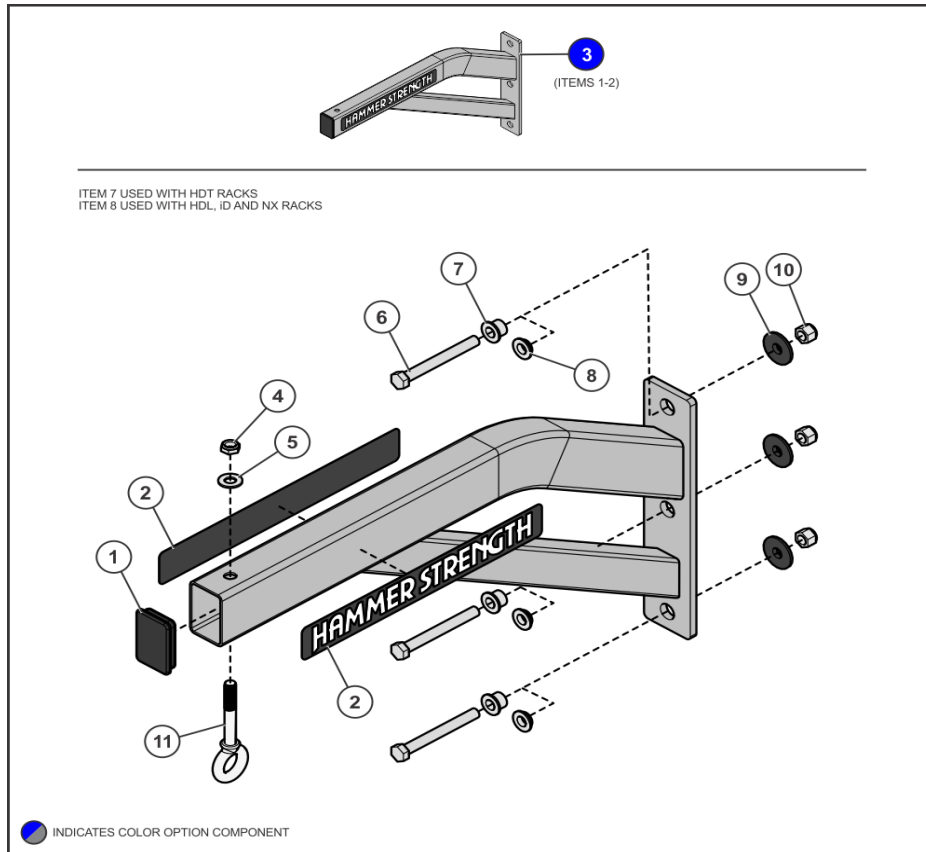
Ref #	Part Number	Qty	Description
1	1022723-0001	1	LABEL: WARNING, STABILITY, RACK ATTACHMENT
2	9109201	1	GUARD, PAINT, HDE, 69.9 X 60.3
3	PLSHC-BUMP-STOP	1	BUMPER STOP (9309K19)
4	RC1530-1Q1	1	CAP:1-1/2 X 3 RECTANGLE PLUG
5	7662602	2	PLUG, HAMMER(LARGE)
6	1001964-0001	1	GUARD, PAINT, 3X3
7	H-HPLUG(REG)	1	9/16IN HOLE PLUG
8	1000971-0001	1	GUARD, PAINT, 75 DEG TAB
9	3246201	2	SCREW, FHSCS 3/8-16 X 5/8
10	1022378-0001	1	ASSEMBLY: ATTACHMENT, DIP

Add-On - Dock N Lock



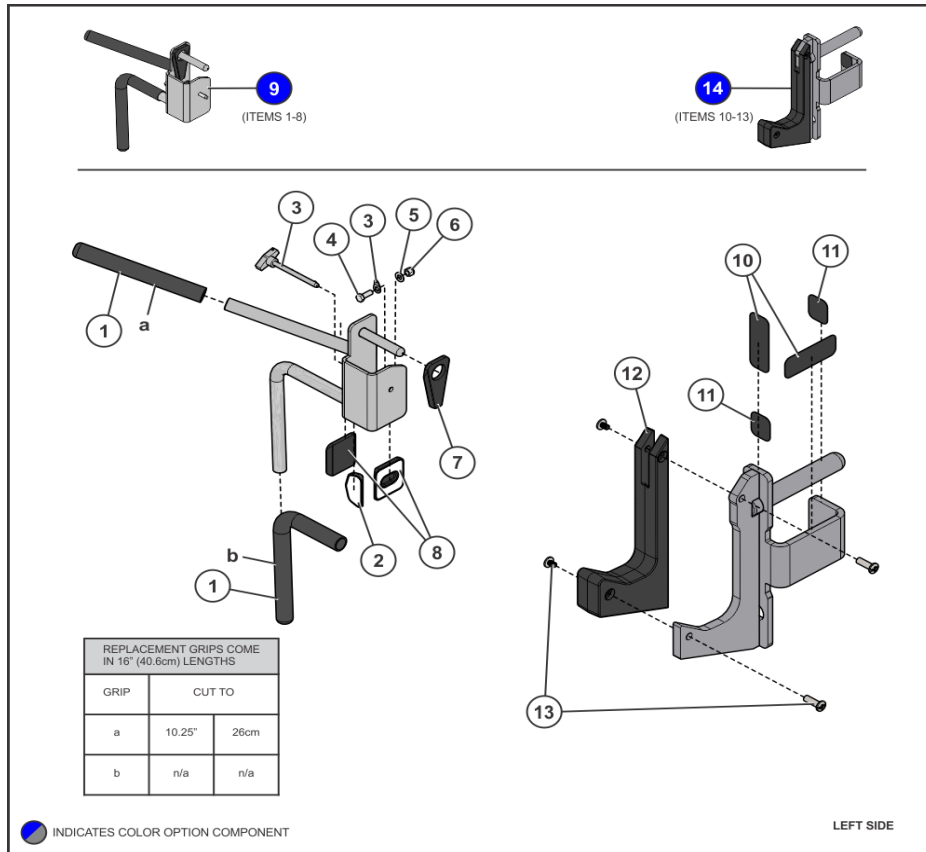
Ref #	Part Number	Qty	Description
1	9125100	1	WLDMT, DOCK-LOCK
2	HHB.5X4.5	2	1/2 X 4-1/2 BOLT
3	HHB.5X3.5	2	1/2 X 3-1/2 BOLT
4	WASH.5STAR	2	1/2 INTERNAL LOCK WASHER
5	H-BACK-WASH	2	BACKING WASHER
6	NUT.5LOCK	2	1/2 THICK LOCK NUT

Add-On - Heavy Bag Hanger



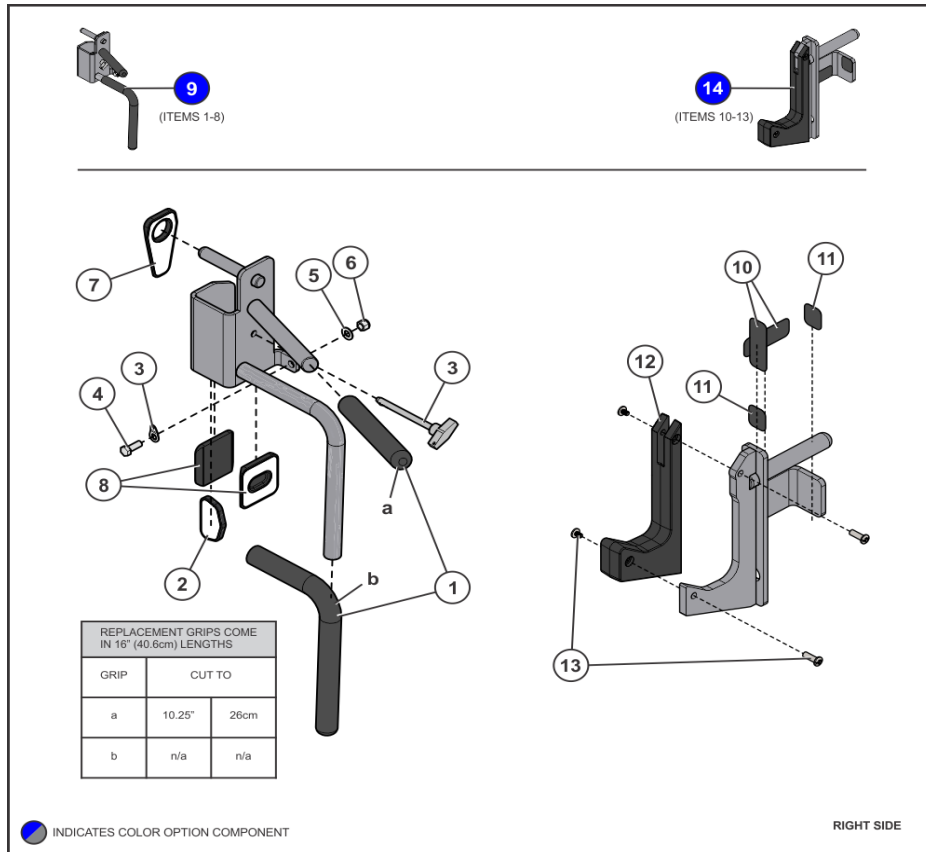
Ref #	Part Number	Qty	Description
1	1009553-0001	1	CAP, 2IN X 3IN 11-14GA, END
2	1008790-0001	2	LABEL: LOGO, HAMMER STRENGTH
3	1023115-0001	1	ASSEMBLY: FRAME, HEAVY BAG HANGER
4	NUT.5JAMLOCK	1	1/2 THIN LOCK NUT
5	WASH.5SAE	1	1/2 SAE FLAT WASHER
6	HHB.5X4.5	3	1/2 X 4-1/2 BOLT
7	1018031-0002	3	WASHER: STEP, 1/2 IN., 0.57 IN. DEEP
8	1018031-0001	3	WASHER: STEP, 1/2 IN., 0.20 IN. DEEP
9	H-BACK-WASH	3	BACKING WASHER
10	NUT.5LOCK	3	1/2 THICK LOCK NUT
11	9120902	1	BOLT, EYE, 1/2-13 X 3.25

Add-On - Lightning Arms Left Handle



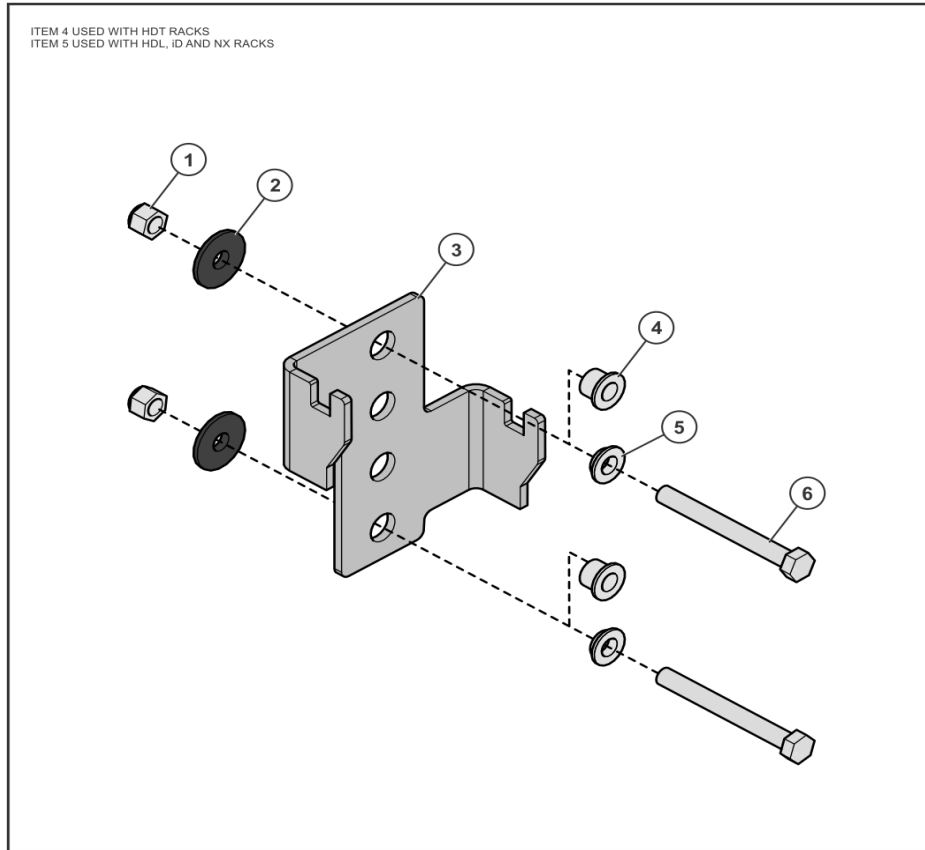
Ref #	Part Number	Qty	Description
1	H-GRIP	2	HANDLE GRIPS (.938X16)
2	1000971-0001	1	GUARD, PAINT, 75 DEG TAB
3	SELECTOR PIN-4	1	SELECTOR PIN 4" WITH LANYARD
4	HHB.375X1	1	3/8 X 1 BOLT
5	WASH.375SAE	1	3/8 SAE FLAT WASHER
6	NUT.375LOCK	1	3/8 THICK LOCK NUT
7	1001964-0001	1	GUARD, PAINT, 3X3
8	1000968-0001	2	GUARD, PAINT, 3-1/4X2-7/8
9	1018756-0001	1	ASSEMBLY: HANDLE, LTNG, LEFT
10	1020052-0002	2	GUARD: PAINT, HDW 2
11	1020052-0001	2	GUARD: PAINT, HDW 1
12	1018495-0001	1	GUARD: BAR SUPPORT
13	1003822-0001	2	BINDING POST, 10-24
14	1021585-0001	1	ASSEMBLY: BAR SUPPORT, 2X3, LEFT

Add-On - Lightning Arms Right Handle



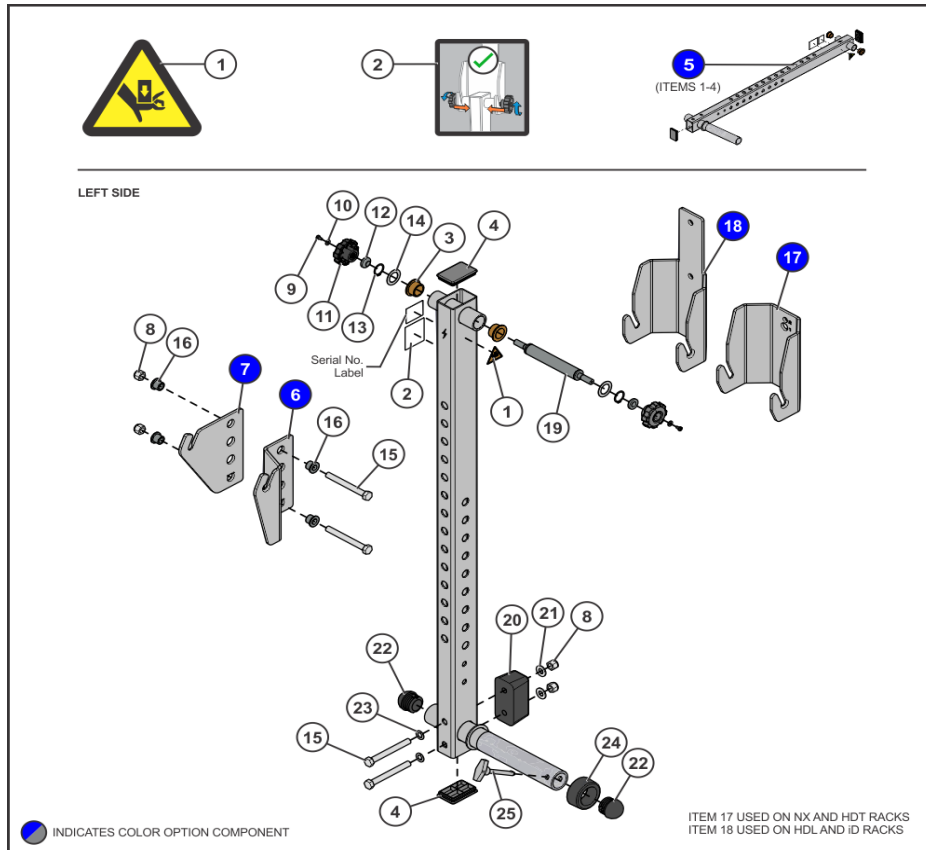
Ref #	Part Number	Qty	Description
1	H-GRIP	2	HANDLE GRIPS (.938X16)
2	1000971-0001	1	GUARD, PAINT, 75 DEG TAB
3	SELECTOR PIN-4	1	SELECTOR PIN 4" WITH LANYARD
4	HHB.375X1	1	3/8 X 1 BOLT
5	WASH.375SAE	1	3/8 SAE FLAT WASHER
6	NUT.375LOCK	1	3/8 THICK LOCK NUT
7	1001964-0001	1	GUARD, PAINT, 3X3
8	1000968-0001	2	GUARD, PAINT, 3-1/4X2-7/8
9	1018713-0001	1	ASSEMBLY: HANDLE, LTNG, RIGHT
10	1020052-0002	2	GUARD: PAINT, HDW 2
11	1020052-0001	2	GUARD: PAINT, HDW 1
12	1018495-0001	1	GUARD: BAR SUPPORT
13	1003822-0001	2	BINDING POST, 10-24
14	1021586-0001	1	ASSEMBLY: BAR SUPPORT, 2X3, RIGHT

Add-On - Lightning Arms Support Bracket



Ref #	Part Number	Qty	Description
1	NUT.5LOCK	2	1/2 THICK LOCK NUT
2	H-BACK-WASH	2	BACKING WASHER
3	1020816-0001	1	BRACKET: STORAGE
4	1018031-0002	2	WASHER: STEP, 1/2 IN., 0.57 IN. DEEP
5	1018031-0001	2	WASHER: STEP, 1/2 IN., 0.20 IN. DEEP
6	HHB.5X4.5	2	1/2 X 4-1/2 BOLT

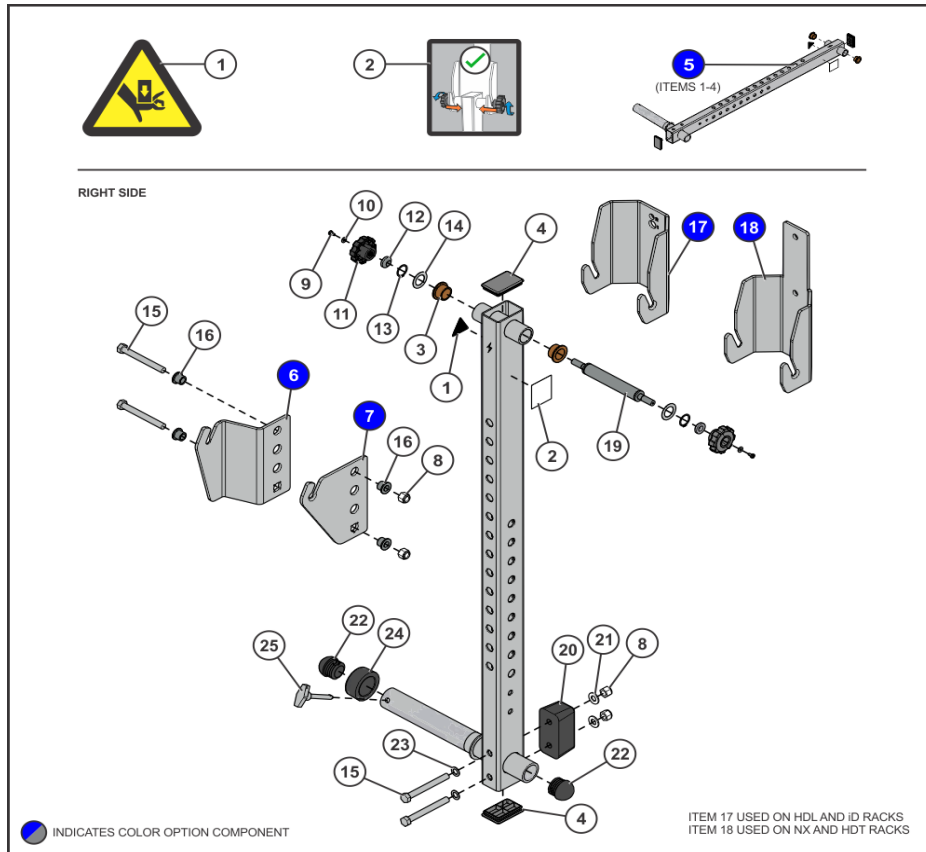
Add-On - Lightning Arms Work Arm Left



Ref #	Part Number	Qty	Description
1	8039501	1	LABEL, WARNING TRIANGLE
2	1020403-0001	1	LABEL: LIGHTNING ARM, ASSEMBLY
3	1002878-0003	2	BRNG, FLANGE 1.00 ID X 1.25 OD
4	1009553-0001	2	CAP, 2IN X 3IN 11-14GA, END
5	1022360-0001	1	ASSEMBLY: WORKARM, LTNG, LEFT
6	1021529-0001	1	PLATE: MOUNT, LOWER, OUTSIDE, LEFT
7	1021530-0001	1	PLATE: MOUNT, LOWER, OUTSIDE, RIGHT
8	NUT.5LOCK	4	1/2 THICK LOCK NUT
9	3270601	2	SCREW, #10-32 X 3/8 TRX PAN ST BZ
10	3114407	2	WASHER, FLAT #10 SAE ST BZ
11	1020881-0001	2	ASSEMBLY: KNOB, FLUTED, 1/2-13
12	1020321-0001	2	WASHER: COUNTERSINK
13	3232421	2	RING: BRE .940 5100-100 ST PP B
14	9117401	2	WASHER, THRUST NEEDLE-ROLLER BEARING, 1 IN. ID
15	HHB.5X4.5	4	1/2 X 4-1/2 BOLT
16	1018031-0002	4	WASHER: STEP, 1/2 IN., 0.57 IN. DEEP
17	1021821-0001	1	BRACKET: MOUNT, UPPER, LEFT
18	1022101-0001	1	BRACKET: MOUNT, UPPER, RIGHT
19	1020762-0001	1	SHAFT: PIVOT, 1 IN. O.D.
20	8722301	1	H-BUMP-MED
21	WASH.5SAE	2	1/2 SAE FLAT WASHER
22	RUBCAP1-2	2	RUBBER CAP # 1

Ref #	Part Number	Qty	Description
23	WASH.5STAR	2	1/2 INTERNAL LOCK WASHER
24	1000146-0001	1	BUMPER, WEIGHT HORN, FLAT -30MM
25	8722401	1	SELECTOR PIN

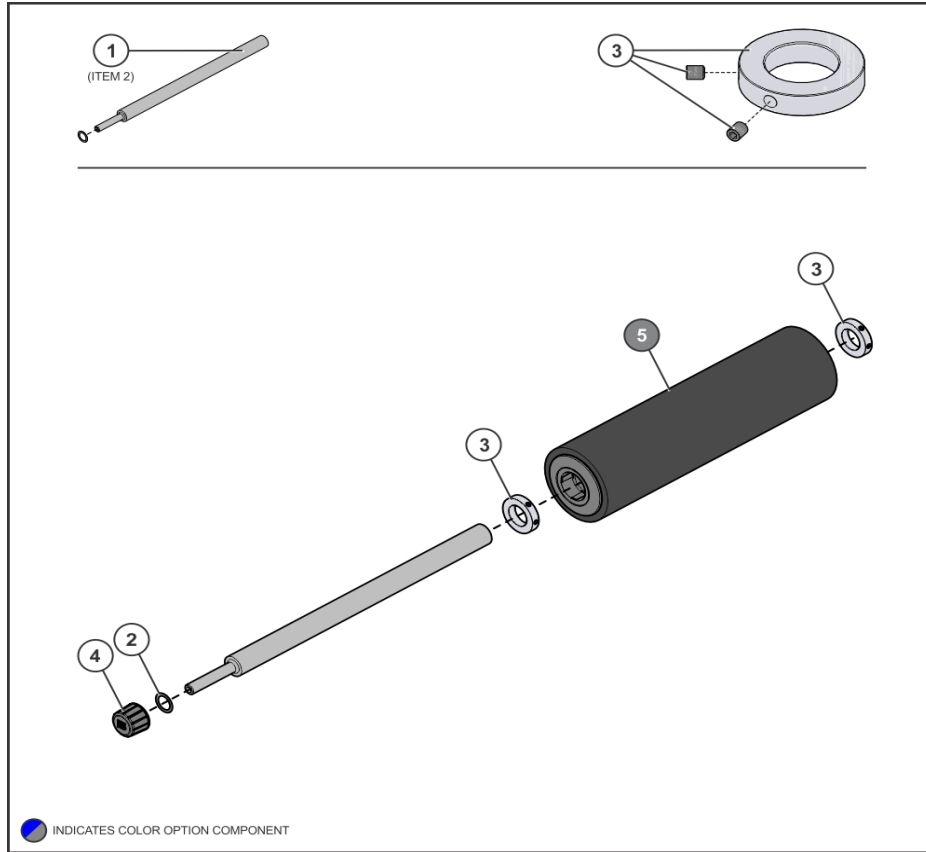
Add-On - Lightning Arms Work Arm Right



Ref #	Part Number	Qty	Description
1	8039501	1	LABEL, WARNING TRIANGLE
2	1020403-0001	1	LABEL: LIGHTNING ARM, ASSEMBLY
3	1002878-0003	2	BRNG, FLANGE 1.00 ID X 1.25 OD
4	1009553-0001	2	CAP, 2IN X 3IN 11-14GA, END
5	1022362-0001	1	ASSEMBLY: WORKARM, LTNG, RIGHT
6	1021530-0001	1	PLATE: MOUNT, LOWER, OUTSIDE, RIGHT
7	1021529-0001	1	PLATE: MOUNT, LOWER, OUTSIDE, LEFT
8	NUT.5LOCK	4	1/2 THICK LOCK NUT
9	3270601	2	SCREW, #10-32 X 3/8 TRX PAN ST BZ
10	3114407	2	WASHER, FLAT #10 SAE ST BZ
11	1020881-0001	2	ASSEMBLY: KNOB, FLUTED, 1/2-13
12	1020321-0001	2	WASHER: COUNTERSINK
13	3232421	2	RING: BRE .940 5100-100 ST PP B
14	9117401	2	WASHER, THRUST NEEDLE-ROLLER BEARING, 1 IN. ID
15	HHB.5X4.5	4	1/2 X 4-1/2 BOLT
16	1018031-0002	4	WASHER: STEP, 1/2 IN., 0.57 IN. DEEP
17	1022101-0001	1	BRACKET: MOUNT, UPPER, RIGHT
18	1021821-0001	1	BRACKET: MOUNT, UPPER, LEFT
19	1020762-0001	1	SHAFT: PIVOT, 1 IN. O.D.
20	8722301	1	H-BUMP-MED
21	WASH.5SAE	2	1/2 SAE FLAT WASHER
22	RUBCAP1-2	2	RUBBER CAP # 1

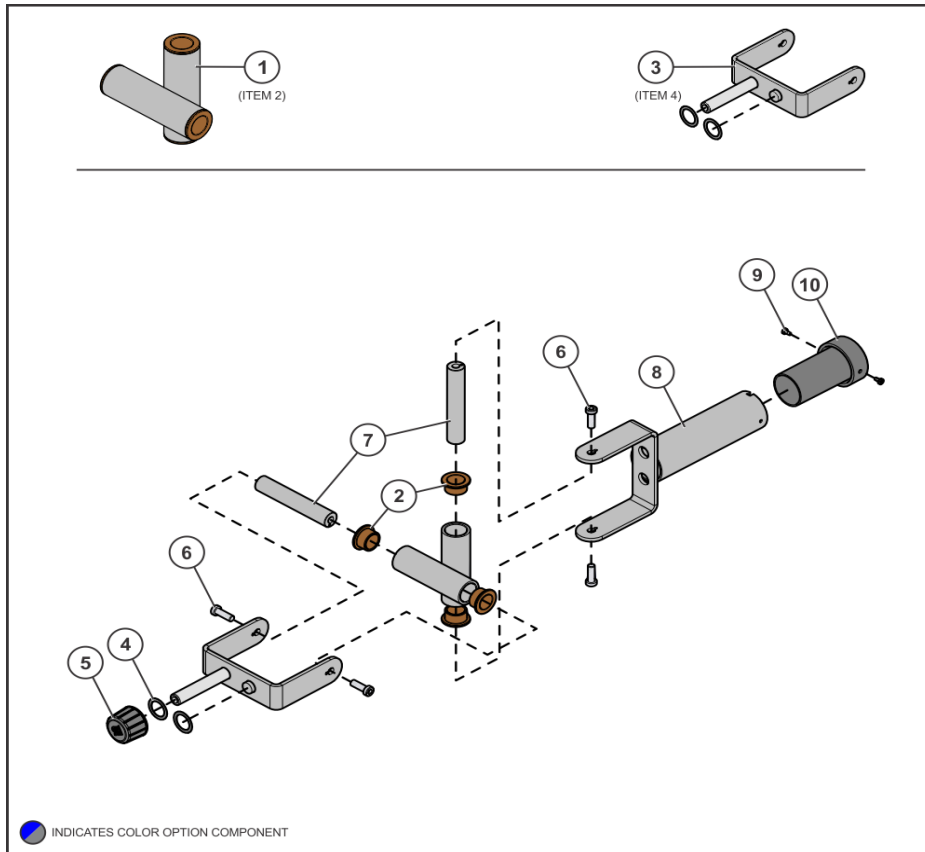
Ref #	Part Number	Qty	Description
23	WASH.5STAR	2	1/2 INTERNAL LOCK WASHER
24	1000146-0001	1	BUMPER, WEIGHT HORN, FLAT -30MM
25	8722401	1	SELECTOR PIN

Add-On - Nordic Ham



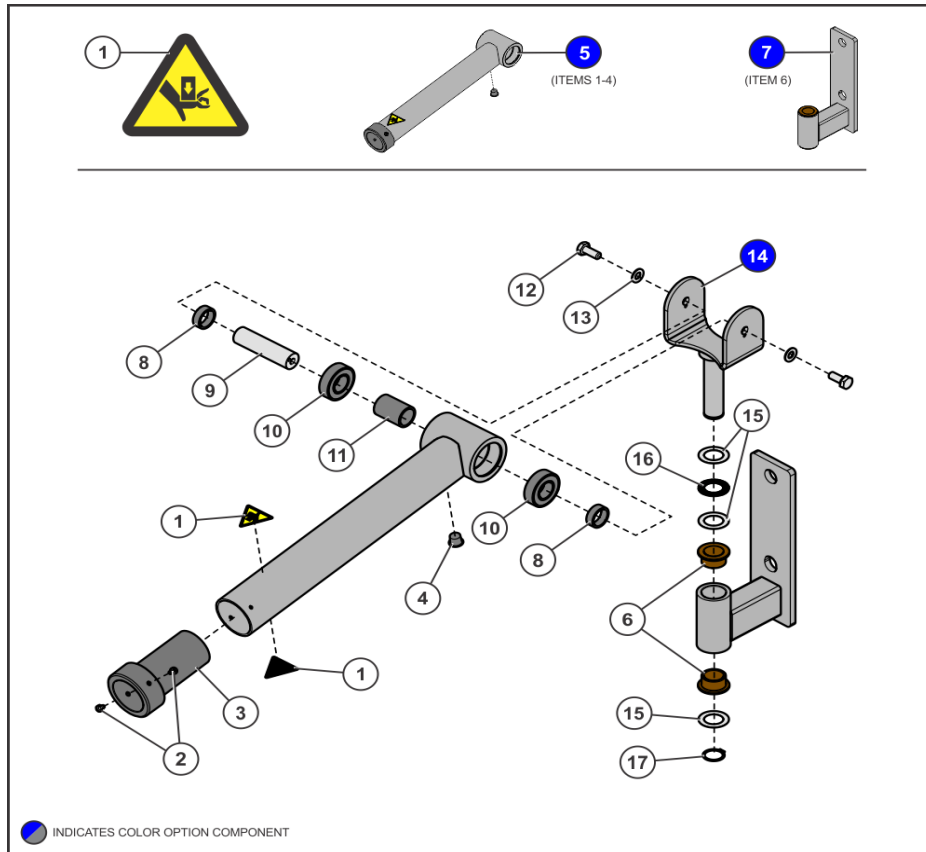
Ref #	Part Number	Qty	Description
1	1023532-0001	1	ASSEMBLY: NORDIC HAM W/ PAINT GUARD
2	1022639-0001	1	PAINT GUARD: MODULAR ATTACHMENT
3	7357901	2	COLLAR, SHAFT 1.53 ID ALUM
4	1022556-0001	1	ASSY; KNOB, TENSION, 1/2"
5		1	ASSY, ROLLER PAD LONG Custom

Add-On - Power Pivot



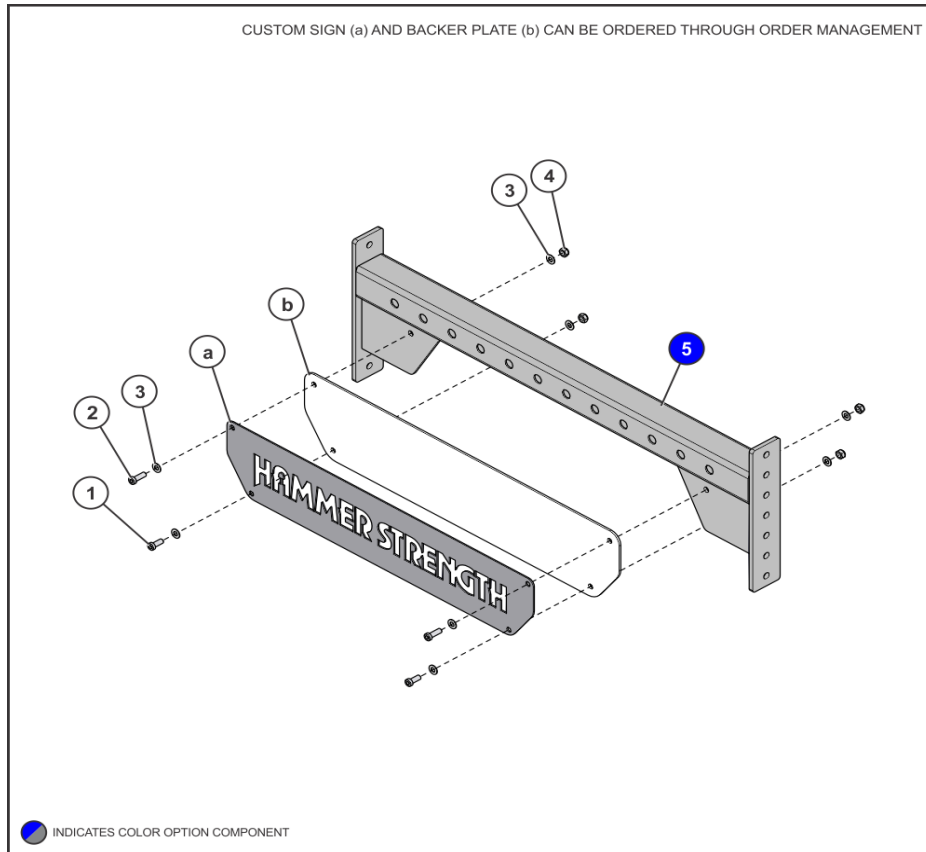
Ref #	Part Number	Qty	Description
1	1022843-0001	1	ASSEMBLY, POWER PIVOT KNUCKLE
2	1002878-0003	4	BRNG, FLANGE 1.00 ID X 1.25 OD
3	1023533-0001	1	ASSEMBLY: POWER PIVOT WELDMENT W/ PAINT GUARDS
4	1022639-0001	2	PAINT GUARD: MODULAR ATTACHMENT
5	1022556-0001	1	ASSY; KNOB, TENSION, 1/2"
6	3272805	4	1/2 IN - 13X 1.25 IN UNC HHCS G5 ZN
7	9306501	2	SHAFT, 1IN X 5.54IN
8	1022385-0028	1	WELDMENT: MODULAR PP WORK ARM - CHR
9	3270601	2	SCREW, #10-32 X 3/8 TRX PAN ST BZ
10	9045101	1	CAP, HDE, LANDMINE, WORK ARM

Add-On - Power Pivot Bolt-in



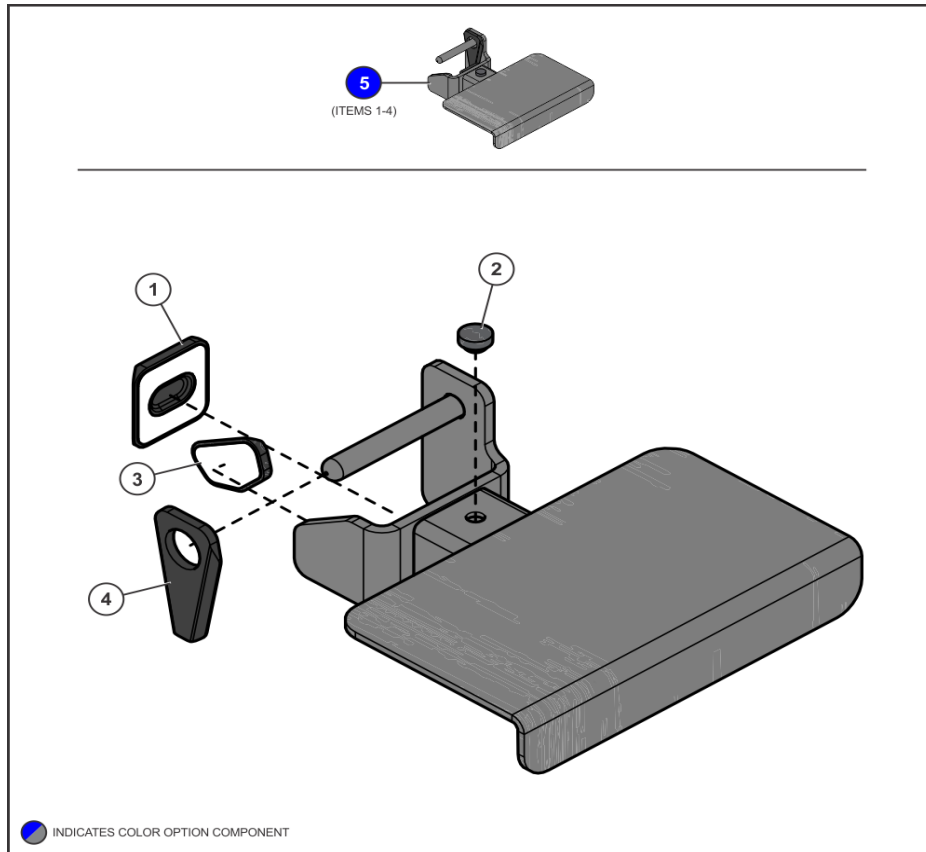
Ref #	Part Number	Qty	Description
1	8039501	2	LABEL, WARNING TRIANGLE
2	3270601	2	SCREW, #10-32 X 3/8 TRX PAN ST BZ
3	9045101	1	CAP, HDE, LANDMINE, WORK ARM
4	H-HPLUG(REG)	1	9/16IN HOLE PLUG
5	1002672-0000	1	ASSY, AT-PP, WORK ARM
6	1002878-0003	2	BRNG, FLANGE 1.00 ID X 1.25 OD
7	1002671-0000	1	ASSY, AT-PP, MNT
8	7330011	2	SPACER, INTERNAL X .425
9	7316501	1	SHAFT, 25MM X 3.750
10	3235601	2	BEARING, 6205 BALL
11	7330006	1	SPACER, INTERNAL X 1.765
12	3251202	2	M10 X 1.5 X 25MM UNS HEX CS ST ZN
13	WASH.375SAE	2	3/8 SAE FLAT WASHER
14	1002654-0000	1	WLDMT, AT-PP, PIVOT
15	9117401	3	WASHER, THRUST NEEDLE-ROLLER BEARING, 1 IN. ID
16	9117301	1	BEARING, THRUST NEEDLE-ROLLER, 1 IN. ID
17	3232421	1	RING:BRE .940 5100-100 ST PP B

Add-On - Sign



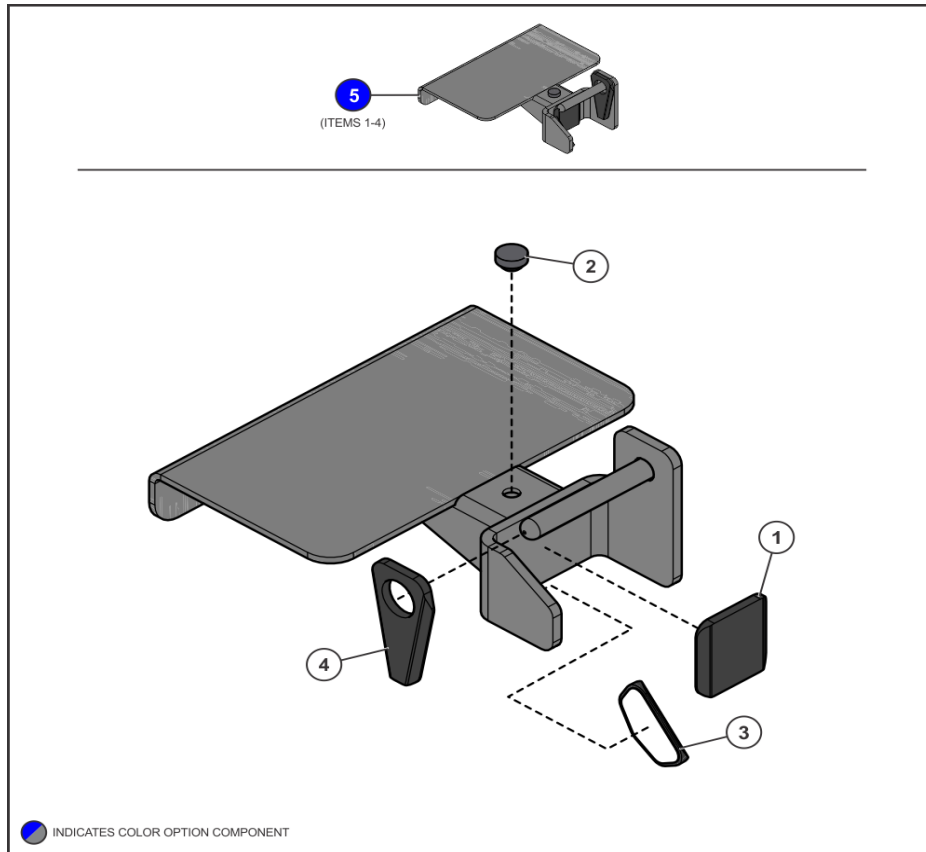
Ref #	Part Number	Qty	Description
1	3236202	2	M10 X 1.5 X 25 SHCS, LOW HEAD
2	3236203	2	M10 X 1.5 X 30 SHCS, LOW HEAD
3	WASH.375SAE	8	3/8 SAE FLAT WASHER
4	3236801	4	NUT, NYLOCK M10 X 1.5 SS
5	1022205-0000	1	WELDMENT: CROSSMEMBER, SUPER DUTY / CUSTOM SIGN

Add-On - Spotter Platform Left



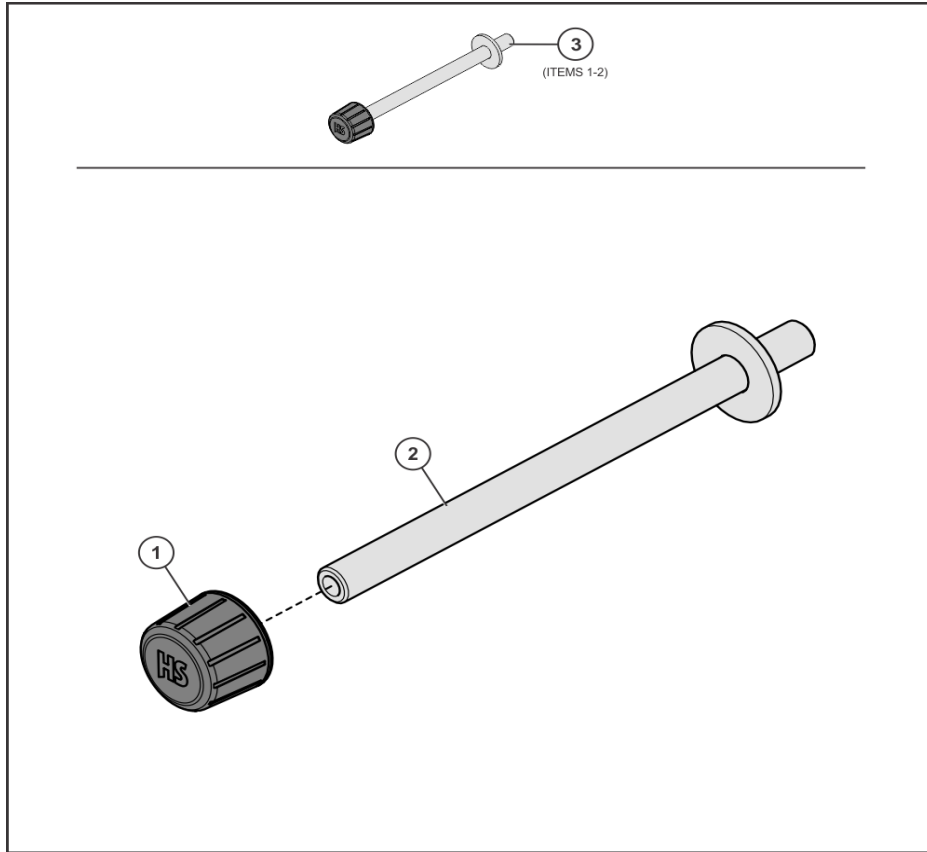
Ref #	Part Number	Qty	Description
1	1000968-0001	1	GUARD, PAINT, 3-1/4X2-7/8
2	PLSHC-BUMP-STOP	1	BUMPER STOP (9309K19)
3	1000971-0001	1	GUARD, PAINT, 75 DEG TAB
4	1001964-0001	1	GUARD, PAINT, 3X3
5	1022458-0001	1	ASSEMBLY: SPOTTER PLATFORM, LEFT

Add-On - Spotter Platform Right



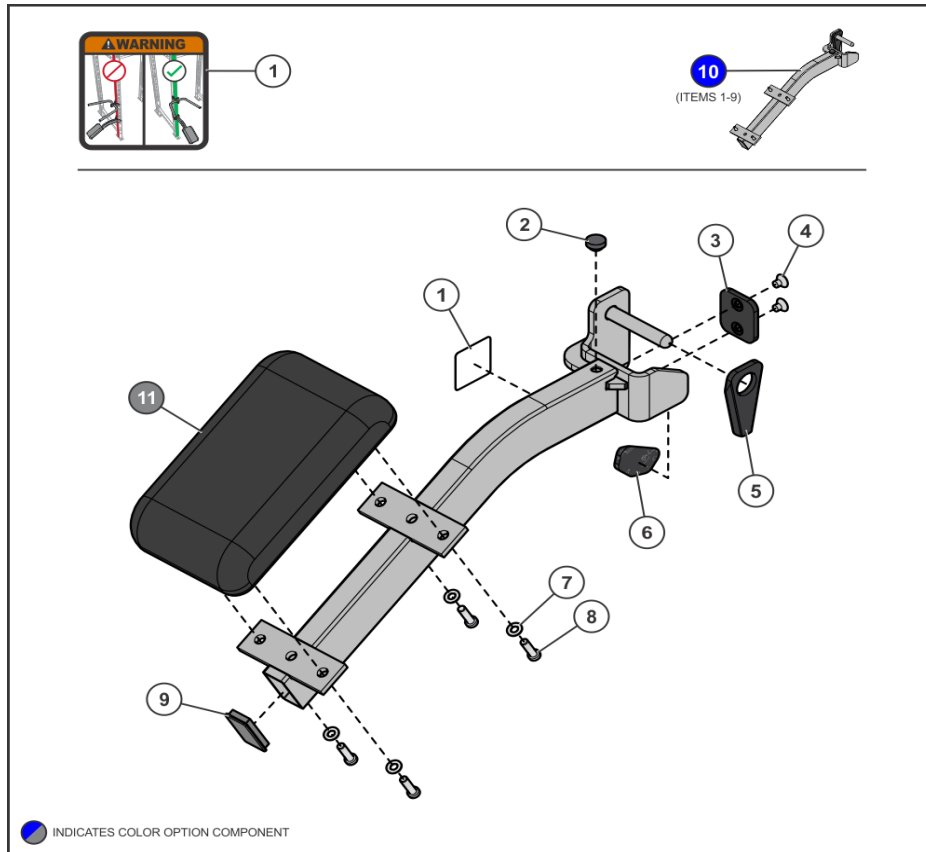
Ref #	Part Number	Qty	Description
1	1000968-0001	1	GUARD, PAINT, 3-1/4X2-7/8
2	PLSHC-BUMP-STOP	1	BUMPER STOP (9309K19)
3	1000971-0001	1	GUARD, PAINT, 75 DEG TAB
4	1001964-0001	1	GUARD, PAINT, 3X3
5	1022459-0001	1	ASSEMBLY: SPOTTER PLATFORM, RIGHT

Add-On - Utility Band Peg



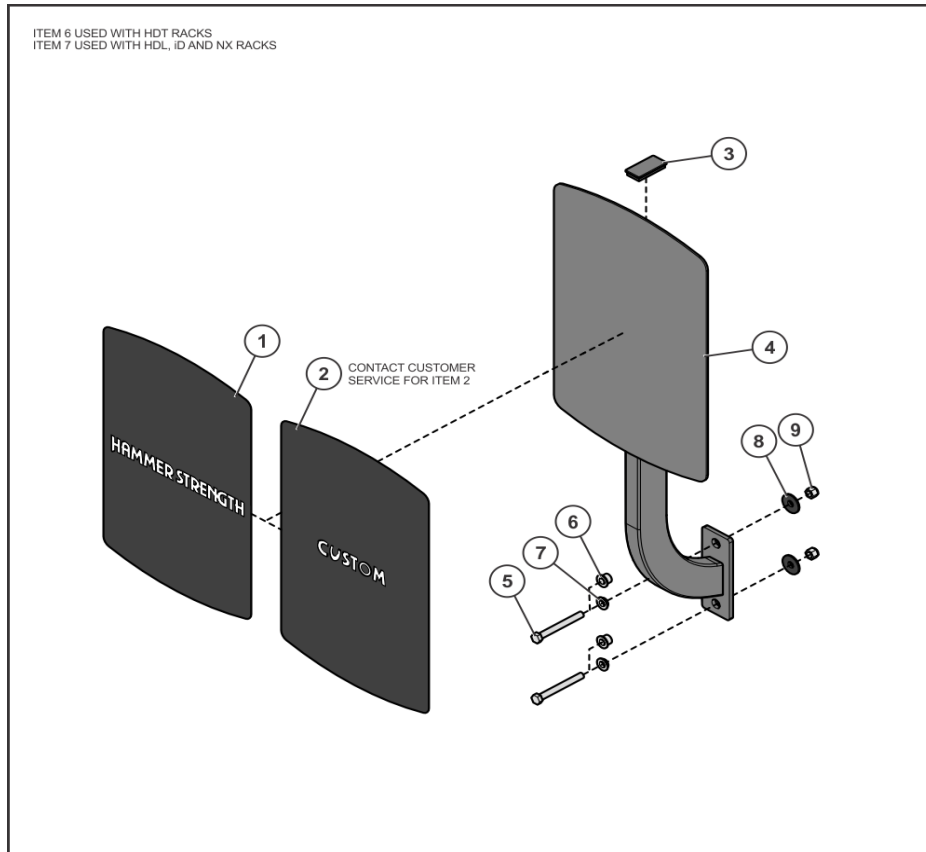
Ref #	Part Number	Qty	Description
1	1022556-0001	1	ASSY; KNOB, TENSION, 1/2"
2	1022391-0001	1	WELDMENT: BAND PEG
3	1023026-0001	1	ASSEMBLY: BAND PEG AND KNOB

Add-On - Utility Pad



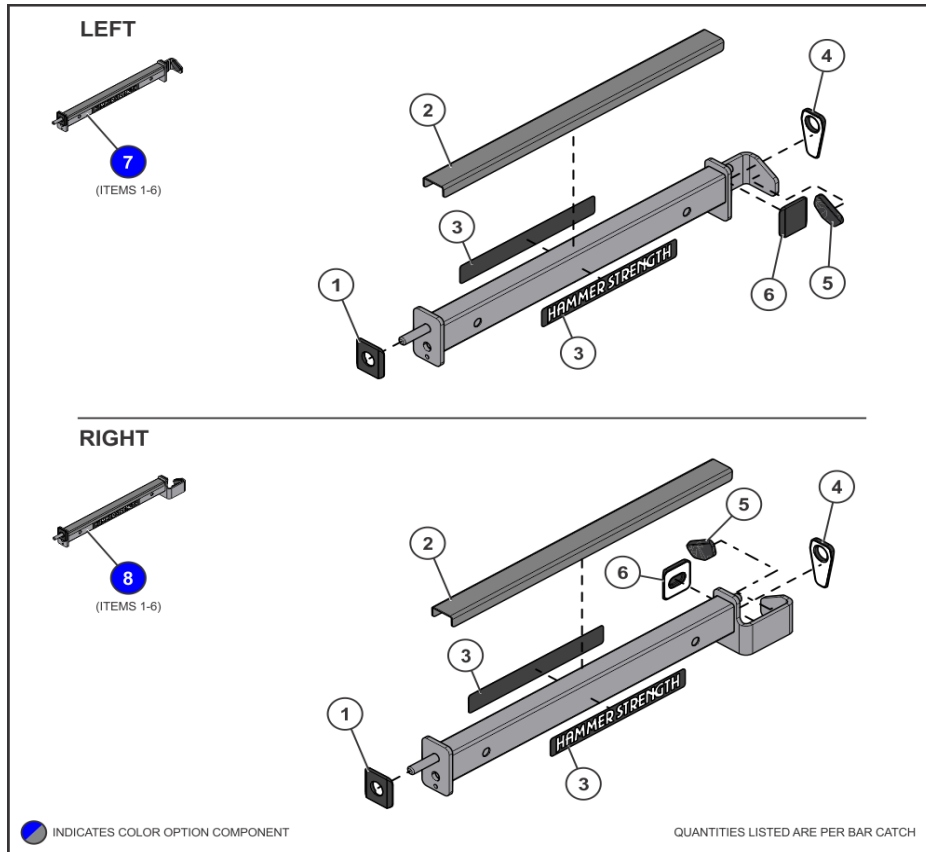
Ref #	Part Number	Qty	Description
1	1022723-0001	1	LABEL: WARNING, STABILITY, RACK ATTACHMENT
2	PLSHC-BUMP-STOP	1	BUMPER STOP (9309K19)
3	9109201	1	GUARD, PAINT, HDE, 69.9 X 60.3
4	3246201	2	SCREW, FHSCS 3/8-16 X 5/8
5	1001964-0001	1	GUARD, PAINT, 3X3
6	1000971-0001	1	GUARD, PAINT, 75 DEG TAB
7	WASH.375SAE	4	3/8 SAE FLAT WASHER
8	3236204	4	M10 X 1.5 X 35 SHCS, LOW HEAD
9	RC1530-1Q1	1	CAP:1-1/2 X 3 RECTANGLE PLUG
10	1022412-0001	1	ASSEMBLY: UTILITY PAD
11		1	PAD, 15 X 7-3/4 X 2-3/4 Custom

Add-On - Wall Ball Target



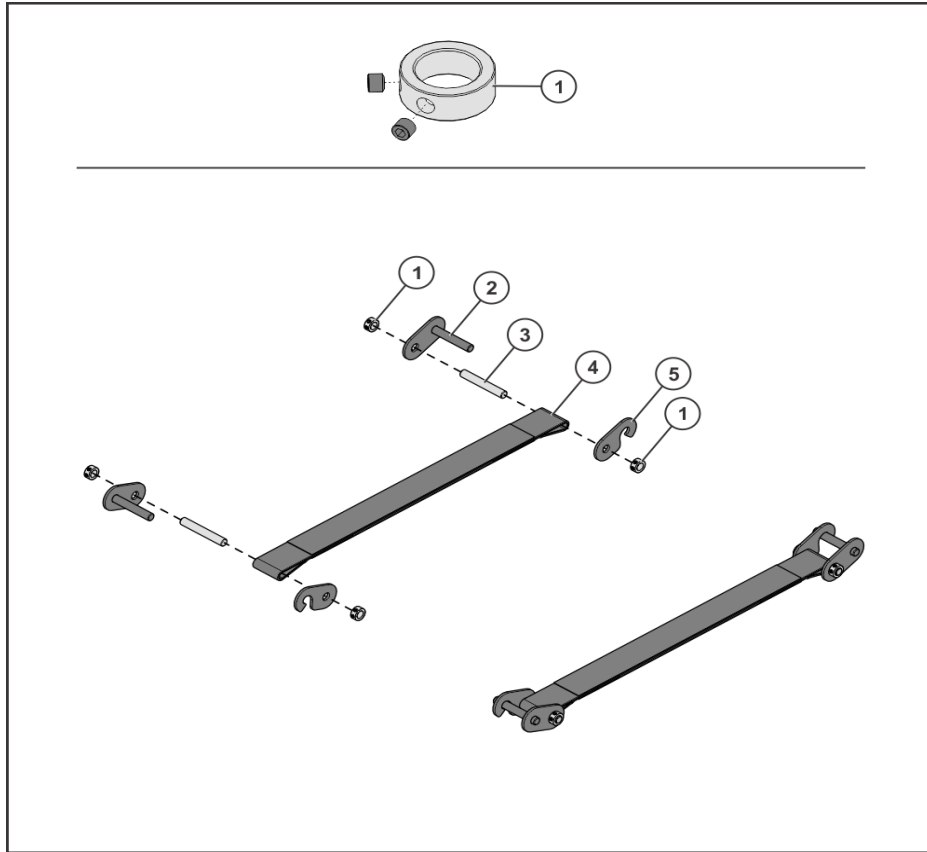
Ref #	Part Number	Qty	Description
1	1012325-0001	1	DECAL: TARGET, STANDARD, HDT-WBT
2	1012325-0099	1	DECAL: TARGET, CUSTOM, HDT-WBT
3	RC1530-1Q1	1	CAP:1-1/2 X 3 RECTANGLE PLUG
4	1011776-0028	1	WLDMT: HDT-WBT, CHR
5	HHB.5X4.5	2	1/2 X 4-1/2 BOLT
6	1018031-0001	2	WASHER: STEP, 1/2 IN., 0.20 IN. DEEP
7	1018031-0002	2	WASHER: STEP, 1/2 IN., 0.57 IN. DEEP
8	H-BACK-WASH	2	BACKING WASHER
9	NUT.5LOCK	2	1/2 THICK LOCK NUT

Bar Catch - PR



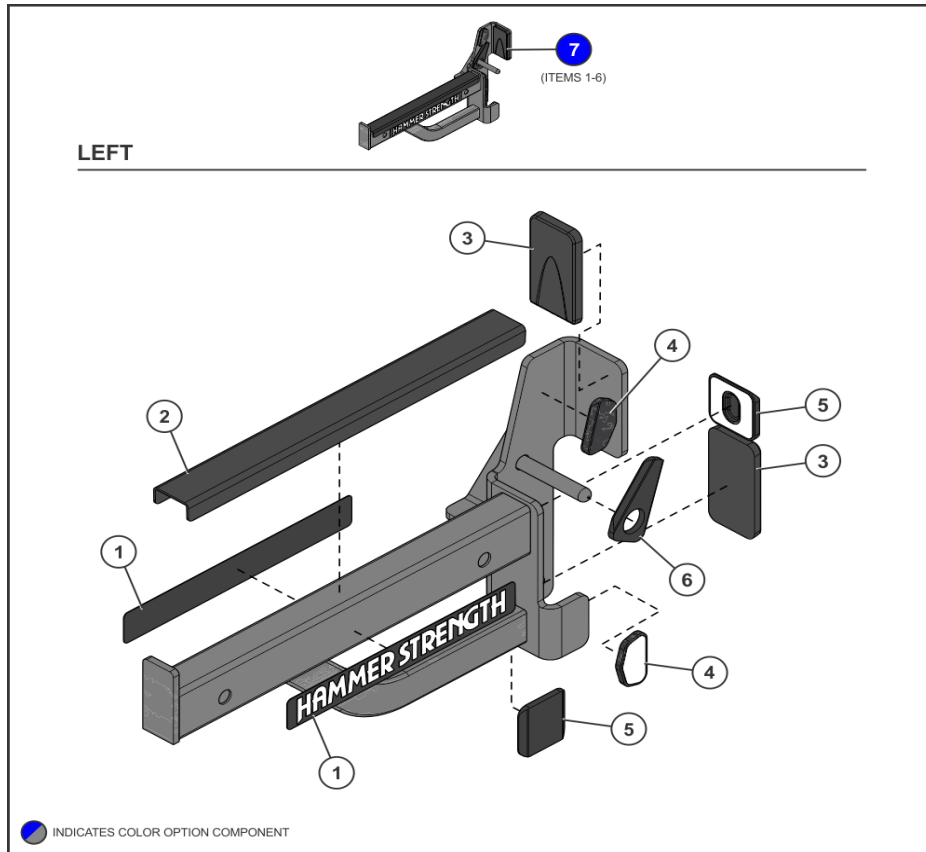
Ref #	Part Number	Qty	Description
1,4	1001964-0001	2	GUARD, PAINT, 3X3
2	1004865-0002	1	ASSY, PAINT GUARD, 2IN TUBE
3	1008790-0001	2	LABEL: LOGO, HAMMER STRENGTH
5	1000971-0001	1	GUARD, PAINT, 75 DEG TAB
6	1000968-0001	1	GUARD, PAINT, 3-1/4X2-7/8
7	1022096-0001	1	ASSEMBLY, PR, BC, LEFT
8	1022091-0001	1	ASSY, PR, BC, RT

Bar Catch - PR Flexible



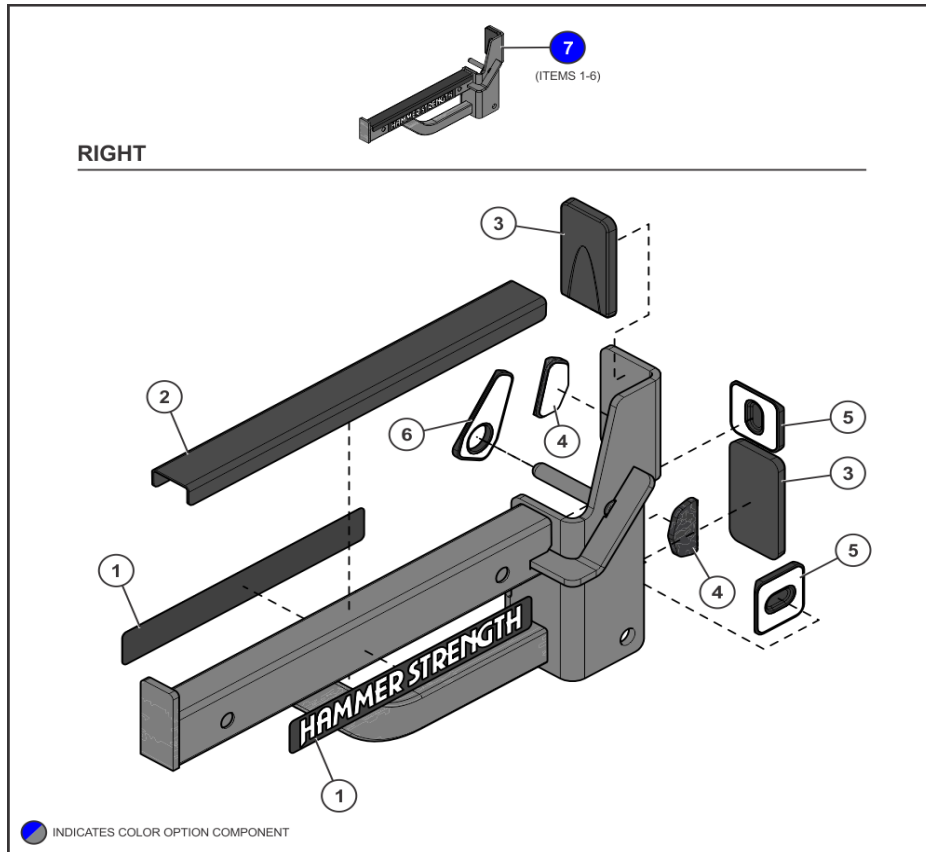
Ref #	Part Number	Qty	Description
1	3103301	8	SHAFT COLLAR, 3/4" ID ZINC
2	1019690-0028	4	WELDMENT: PR-FBC -CHR
3	8062401	4	SHAFT, .75 OD X 5.06 L
4	1007083-0001	2	STRAP: FBC, PR
5	1019708-0028	4	PLATE: 1/4, LATCH, PR-FBC -CHR

Bar Catch - 4X3 HR Left



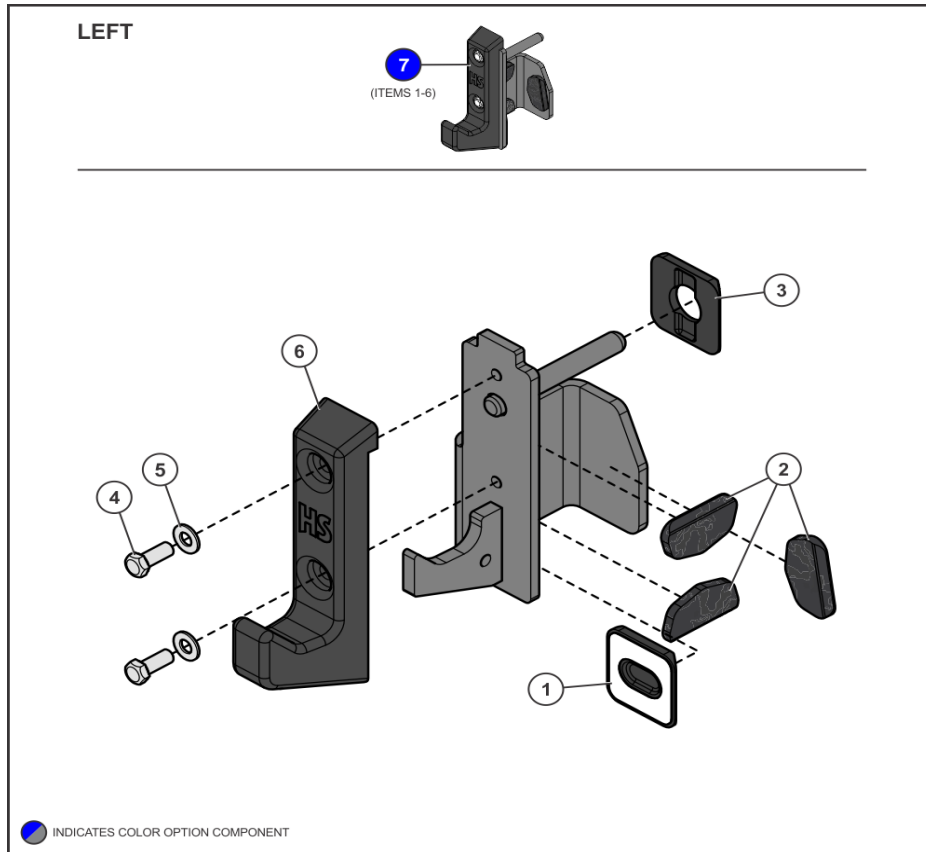
Ref #	Part Number	Qty	Description
1	1008790-0001	2	LABEL: LOGO, HAMMER STRENGTH
2	1004865-0002	1	ASSY, PAINT GUARD, 2IN TUBE
3	1000970-0001	2	PAD, AT, BC, 3X5-3/4
4	1000971-0001	2	GUARD, PAINT, 75 DEG TAB
5	1000968-0001	2	GUARD, PAINT, 3-1/4X2-7/8
6	1001964-0001	1	GUARD, PAINT, 3X3
7	1021617-0001	1	ASSEMBLY: BAR CATCH, HR, 4X3, LEFT

Bar Catch - 4X3 HR Right



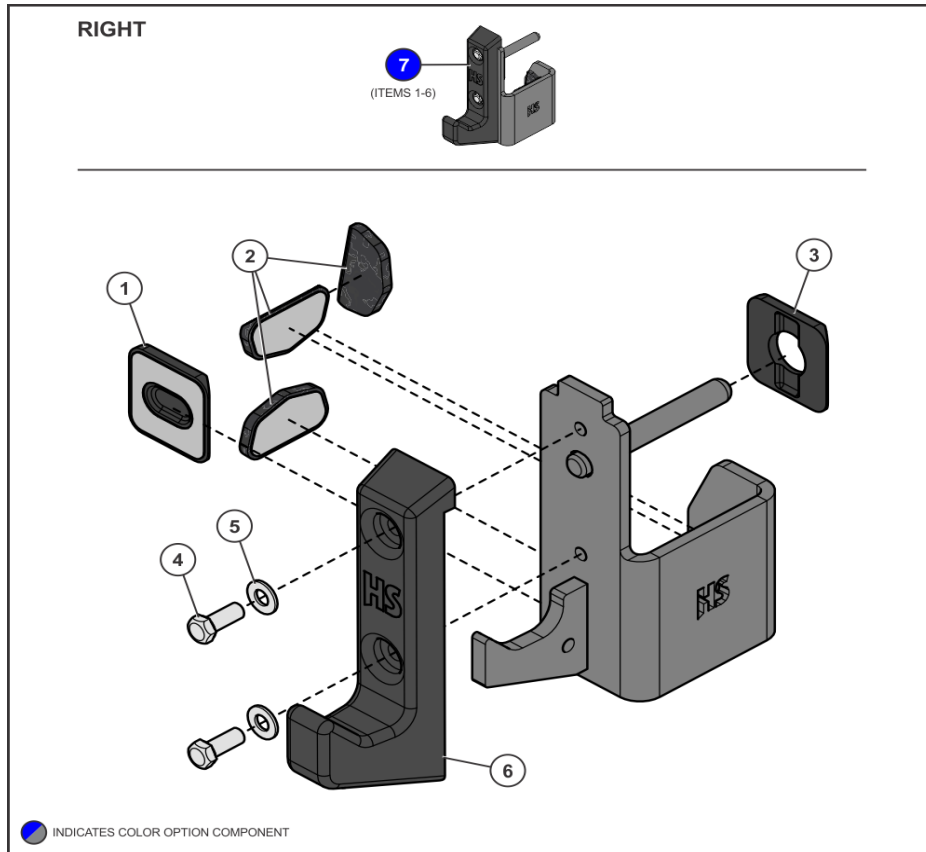
Ref #	Part Number	Qty	Description
1	1008790-0001	2	LABEL: LOGO, HAMMER STRENGTH
2	1004865-0002	1	ASSY, PAINT GUARD, 2IN TUBE
3	1000970-0001	2	PAD, AT, BC, 3X5-3/4
4	1000971-0001	2	GUARD, PAINT, 75 DEG TAB
5	1000968-0001	2	GUARD, PAINT, 3-1/4X2-7/8
6	1001964-0001	1	GUARD, PAINT, 3X3
7	1021621-0001	1	ASSEMBLY: BAR CATCH, HR, 4X3, RIGHT

Bar Support 4X3 HR Left



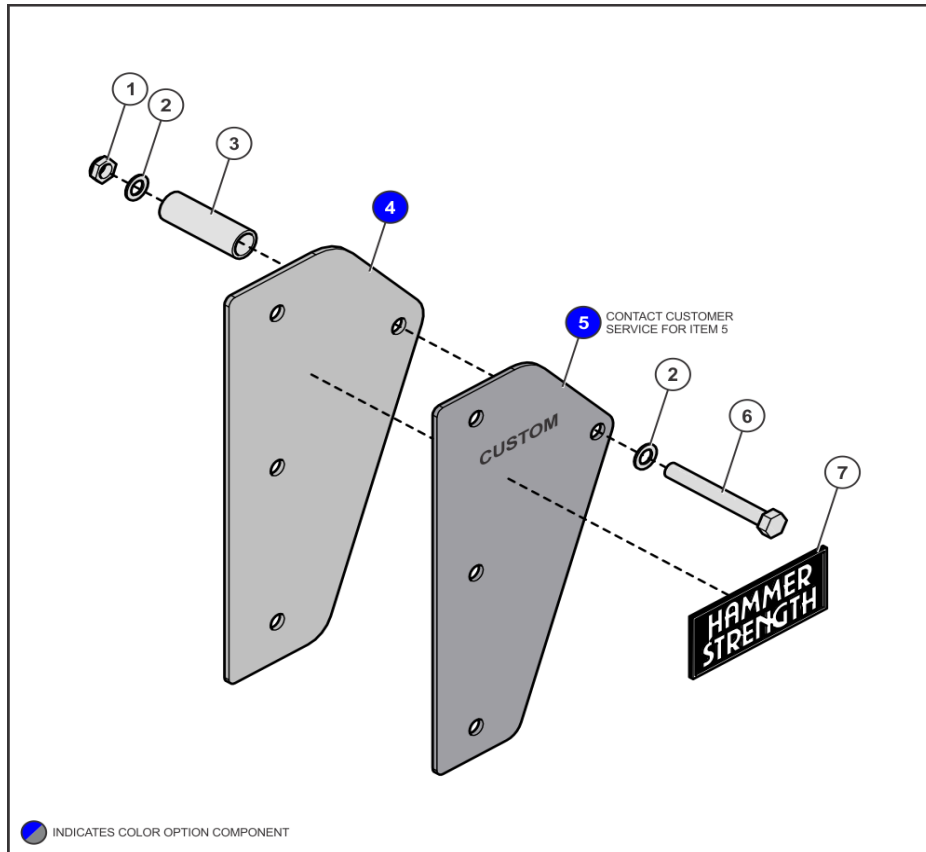
Ref #	Part Number	Qty	Description
1	1000968-0001	1	GUARD, PAINT, 3-1/4X2-7/8
2	1000971-0001	3	GUARD, PAINT, 75 DEG TAB
3	1001964-0001	1	GUARD, PAINT, 3X3
4	3272805	2	1/2 IN - 13X 1.25 IN UNC HHCS G5 ZN
5	WASH.5SAE	2	1/2 SAE FLAT WASHER
6	1022393-0001	1	GUARD: BAR SUPPORT
7	1022394-0001	1	ASSEMBLY: BAR SUPPORT, 4X3, LEFT

Bar Support 4X3 HR Right



Ref #	Part Number	Qty	Description
1	1000968-0001	1	GUARD, PAINT, 3-1/4X2-7/8
2	1000971-0001	3	GUARD, PAINT, 75 DEG TAB
3	1001964-0001	1	GUARD, PAINT, 3X3
4	3272805	2	1/2 IN - 13X 1.25 IN UNC HHCS G5 ZN
5	WASH.5SAE	2	1/2 SAE FLAT WASHER
6	1022393-0001	1	GUARD: BAR SUPPORT
7	1022395-0001	1	ASSEMBLY: BAR SUPPORT, 4X3, RIGHT

Frame - Anvil Plate



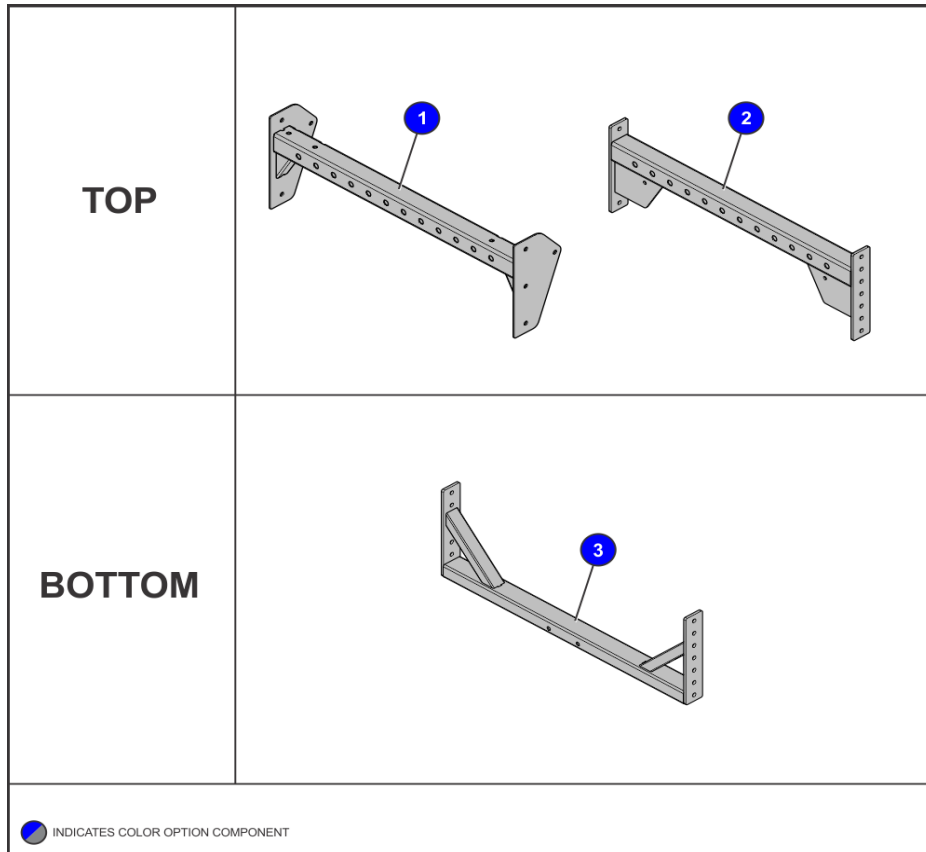
Ref #	Part Number	Qty	Description
1	NUT.5JAMLOCK	1	1/2 THIN LOCK NUT
2	WASH.5STAR	2	1/2 INTERNAL LOCK WASHER
3	9124100	1	TUBE, HDEHR/MR, SPACER, 9 FT RACK
4	1022196-0000	1	PLATE, 3/16", ANVIL
5	1022197-0000	1	PLATE: ANVIL, CUSTOM, SIDE B, 7GA
6	HHB.5X4	1	1/2 X 4 BOLT
7	H-NAMEPLATE	1	NAME PLATE

Frame - Crossmembers

WIDTH	BOTTOM	TOP
15" (38cm)		
21" (53cm)		
34.5" (88cm)		
INDICATES COLOR OPTION COMPONENT		

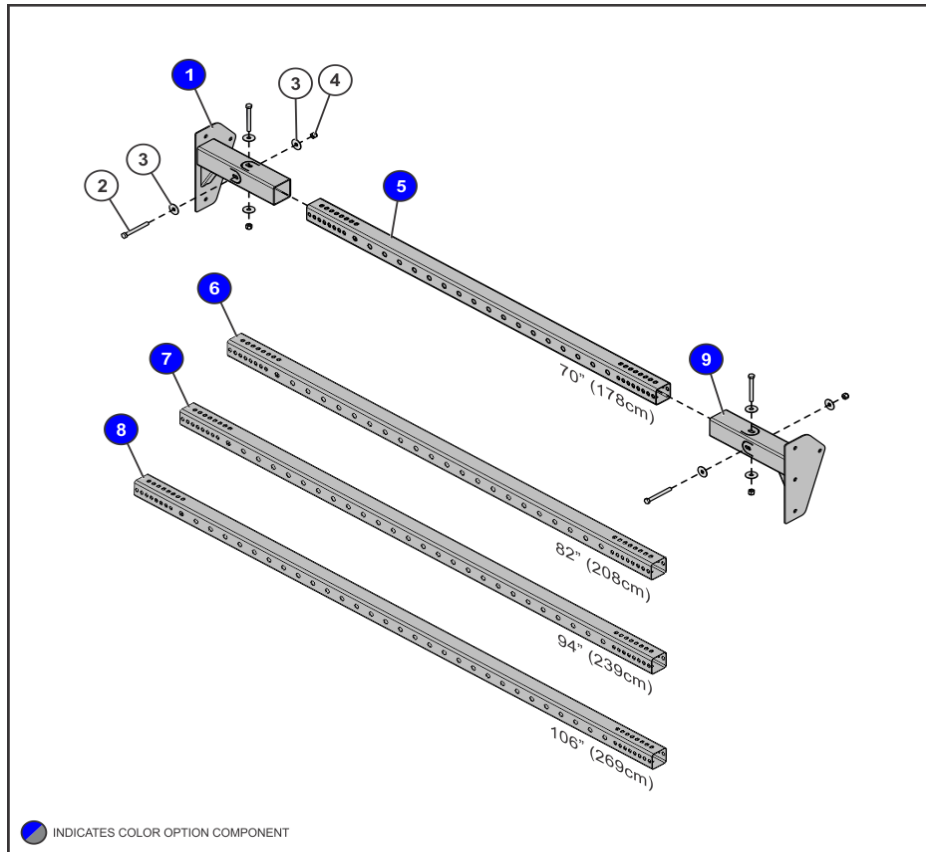
Ref #	Part Number	Qty	Description
1	1022179-0000	1	WELDMENT: CROSSMEMBER, 15 IN, BOTTOM, 3X3, 11 GA
2	1022183-0000	1	WELDMENT: CROSSMEMBER, 15 IN, TOP, 3X3, 11 GA
3	1021599-0000	1	WELDMENT: CROSSMEMBER, 21 IN, BOTTOM
4	1022141-0000	1	WELDMENT: CROSSMEMBER, 21 IN, TOP
5	1022150-0000	1	WELDMENT: CROSSMEMBER, POWER RACK, 34.5 IN, BOTTOM
6	1021594-0000	1	WELDMENT: CROSSMEMBER, 34.5 IN, TOP, 3X3, 11 GA

Frame - Crossmembers Rear



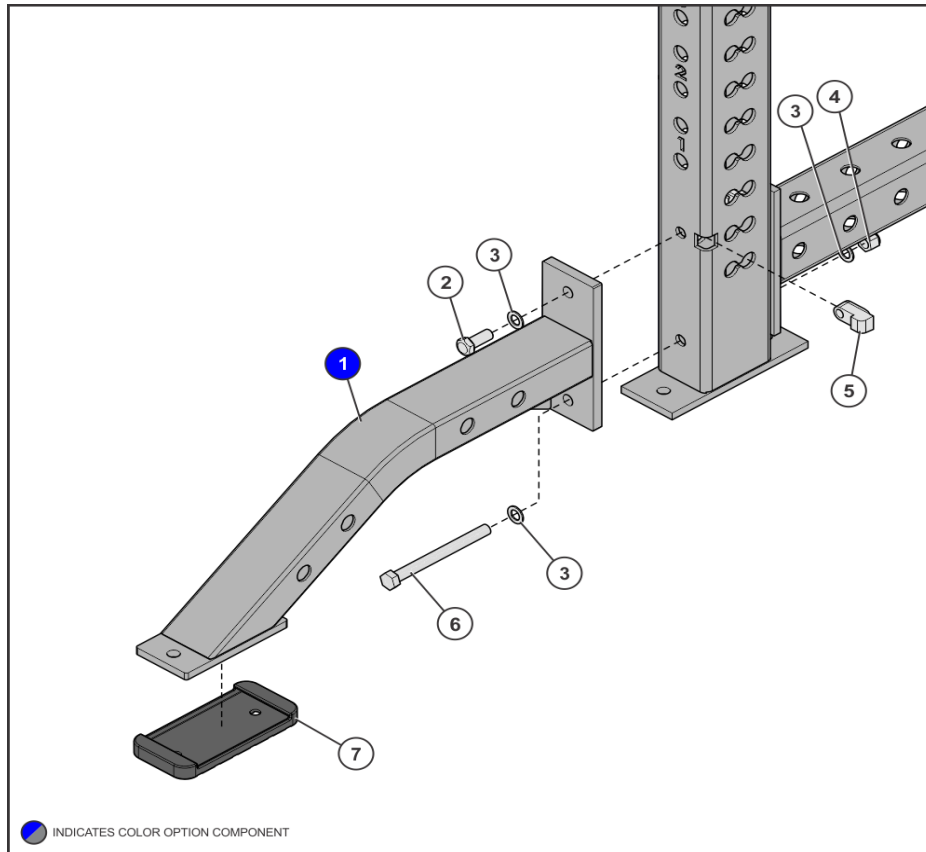
Ref #	Part Number	Qty	Description
1	1022211-0000	1	WELDMENT: CROSSMEMBER, 3X3, 42 IN
2	1022205-0000	1	WELDMENT: CROSSMEMBER, SUPER DUTY / CUSTOM SIGN
3	1022207-0000	1	WELDMENT: CROSSMEMBER, DOCKNLOCK

Frame - Rack Connectors



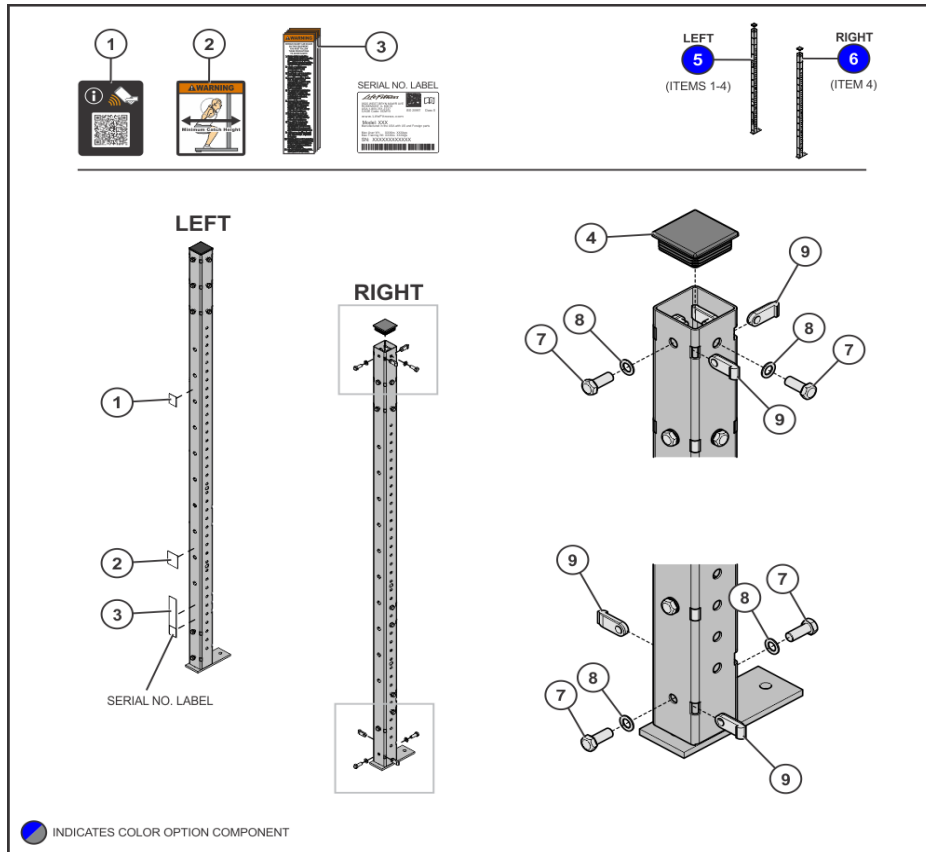
Ref #	Part Number	Qty	Description
1	1022510-0000	1	WELDMENT: SQ CONNECTOR, L
2	HHB.5X4.5	4	1/2 X 4-1/2 BOLT
3	3102512	8	WSHR, FLAT 1/2 ID X1-3/4 OD ZN
4	NUT.5LOCK	4	1/2 THICK LOCK NUT
5	1003881-0000	1	TUBE, HDLRC-SQ, 6-7FT
6	1003882-0000	1	TUBE, HDLRC-SQ, 7-8FT
7	1003883-0000	1	TUBE, HDLRC-SQ, 8-9FT
8	1003884-0000	1	TUBE, HDLRC-SQ, 9-10FT
9	1022509-0000	1	WELDMENT: SQ CONNECTOR, R

Frame - Stability Foot



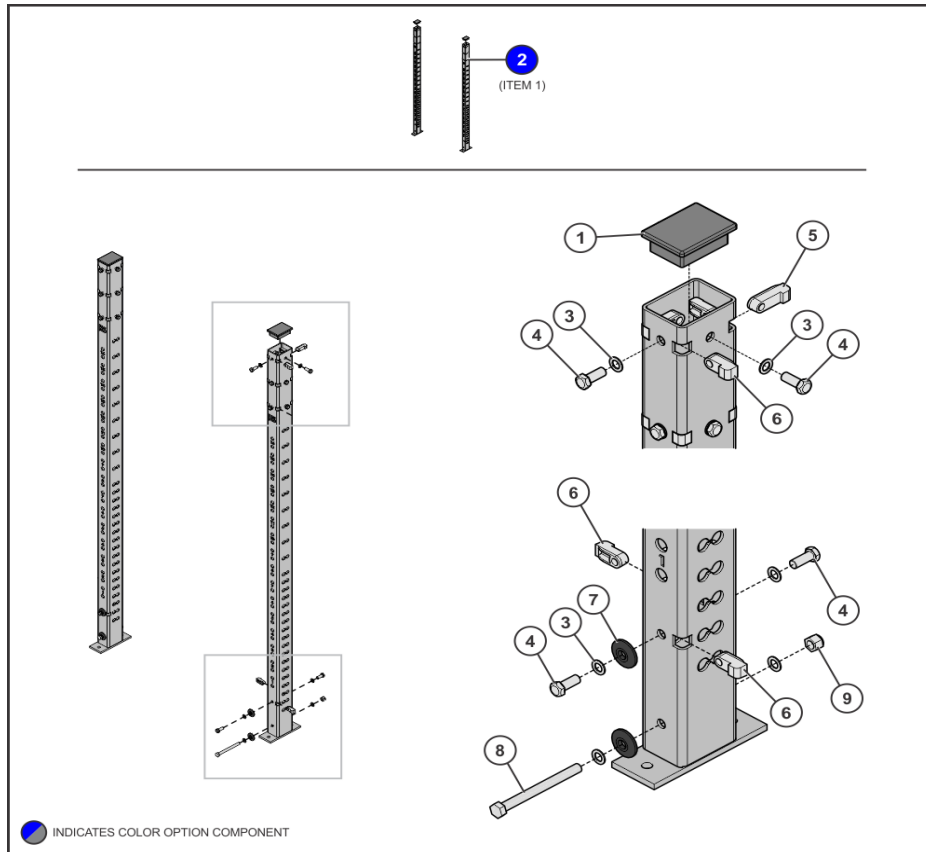
Ref #	Part Number	Qty	Description
1	1021721-0000	1	WELDMENT: FOOT, STABILITY
2	3272805	1	1/2 IN - 13X 1.25 IN UNC HHCS G5 ZN
3	WASH.5STAR	1	1/2 INTERNAL LOCK WASHER
4	NUT.5LOCK	1	1/2 THICK LOCK NUT
5	9097301	1	NUT, RECT TUBING, 7GA, 3 IN.
6	HHB.5X5.5	1	1/2 X 5.5 BOLT
7	MM-9	1	3 X 6 FLANGE RUBBER SLIPPER

Frame - 8 Foot Storage Upright



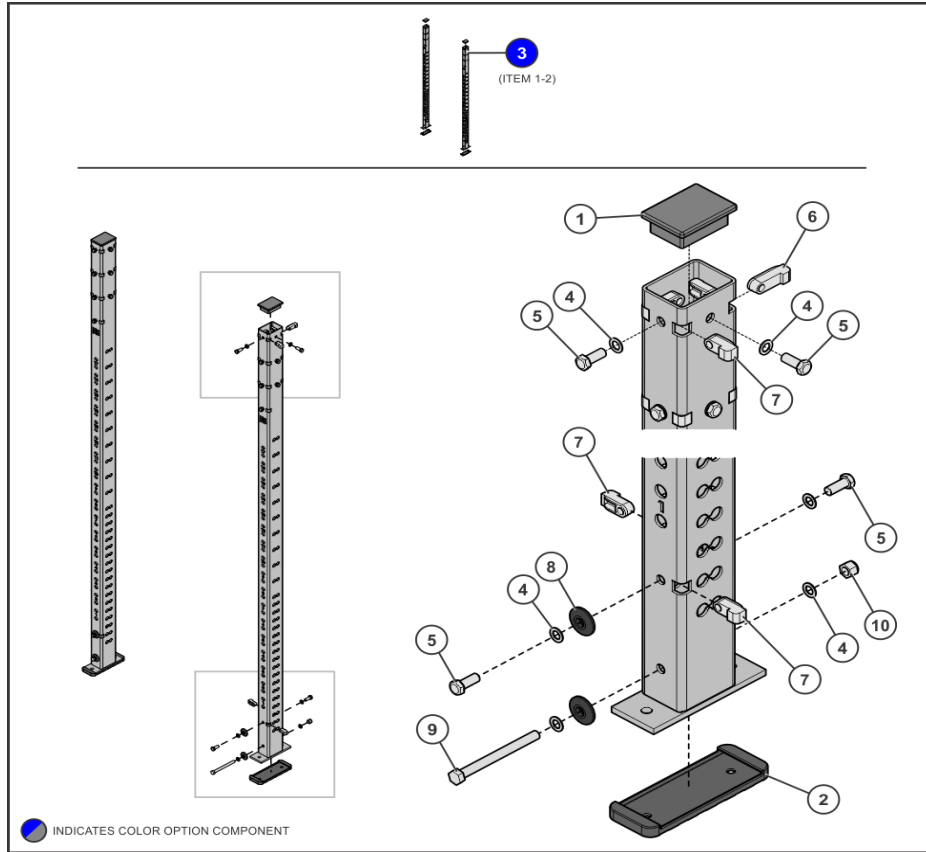
Ref #	Part Number	Qty	Description
1	1020226-0001	1	DECAL: QR CODE, HDW
2	1022973-0001	1	LABEL: BAR CATCH HEIGHT
3	1020225-0001	1	LABEL: ASTM WARNING, RACKS, VERT -ENG
4	1020229-0001	2	CAP: END, 3X3 8-14GA
5	1020119-0001	2	FOOT: SLIPPER, RUBBER
6	1023021-0001	1	ASSEMBLY: UPRIGHT, STORAGE, LEFT, NO HARDWARE
7	1023022-0001	1	ASSEMBLY: UPRIGHT, STORAGE, RIGHT, NO HARDWARE
8	3272805	20	1/2 IN - 13X 1.25 IN UNC HHCS G5 ZN
9	WASH.5STAR	20	1/2 INTERNAL LOCK WASHER
10	9311803	20	NUT RECT TUBING 11GA 3 IN

Frame - 8 Foot Training Upright



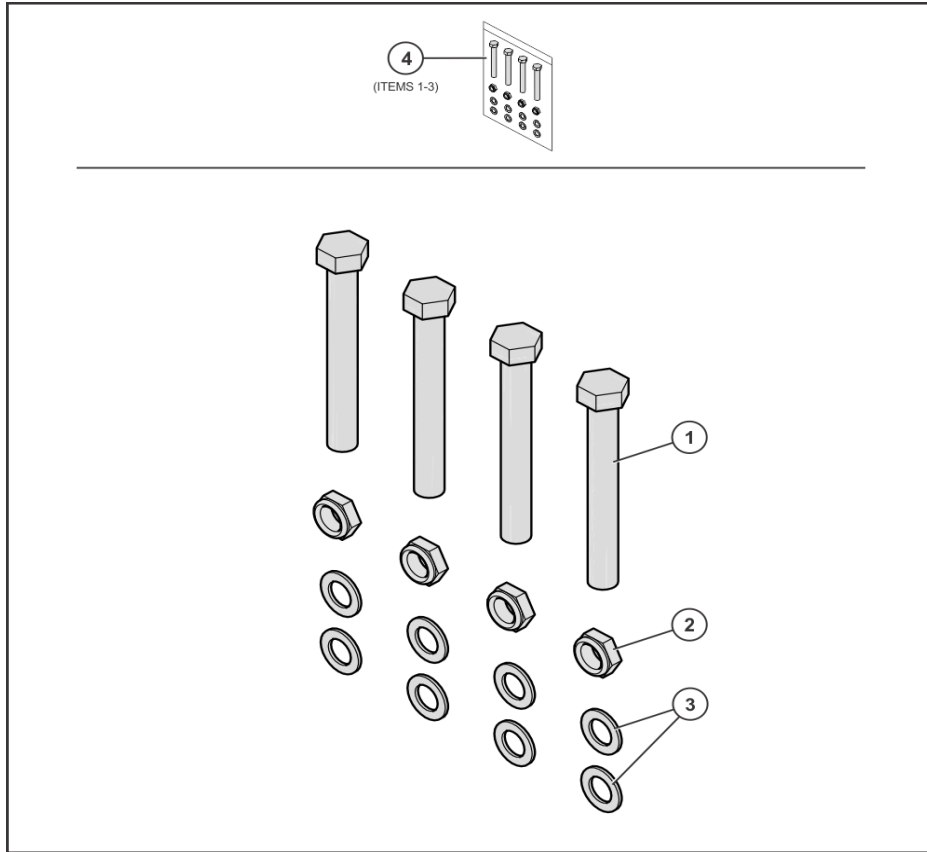
Ref #	Part Number	Qty	Description
1	1020229-0001	2	CAP: END, 3X3 8-14GA
2	1020119-0001	2	FOOT: SLIPPER, RUBBER
3	1023039-0001	2	ASSEMBLY: TRAINING UPRIGHT, 8FT, NO HARDWARE
4	WASH.5STAR	16	1/2 INTERNAL LOCK WASHER
5	3272805	28	1/2 IN - 13X 1.25 IN UNC HHCS G5 ZN
6	9097302	12	NUT, RECT TUBING, 7GA, 4 IN.
7	9097301	16	NUT, RECT TUBING, 7GA, 3 IN.
8	H-BACK-WASH	4	BACKING WASHER
9	HHB.5X5.5	2	1/2 X 5.5 BOLT
10	NUT.5LOCK	2	1/2 THICK LOCK NUT

Frame - 9 Foot Training Upright



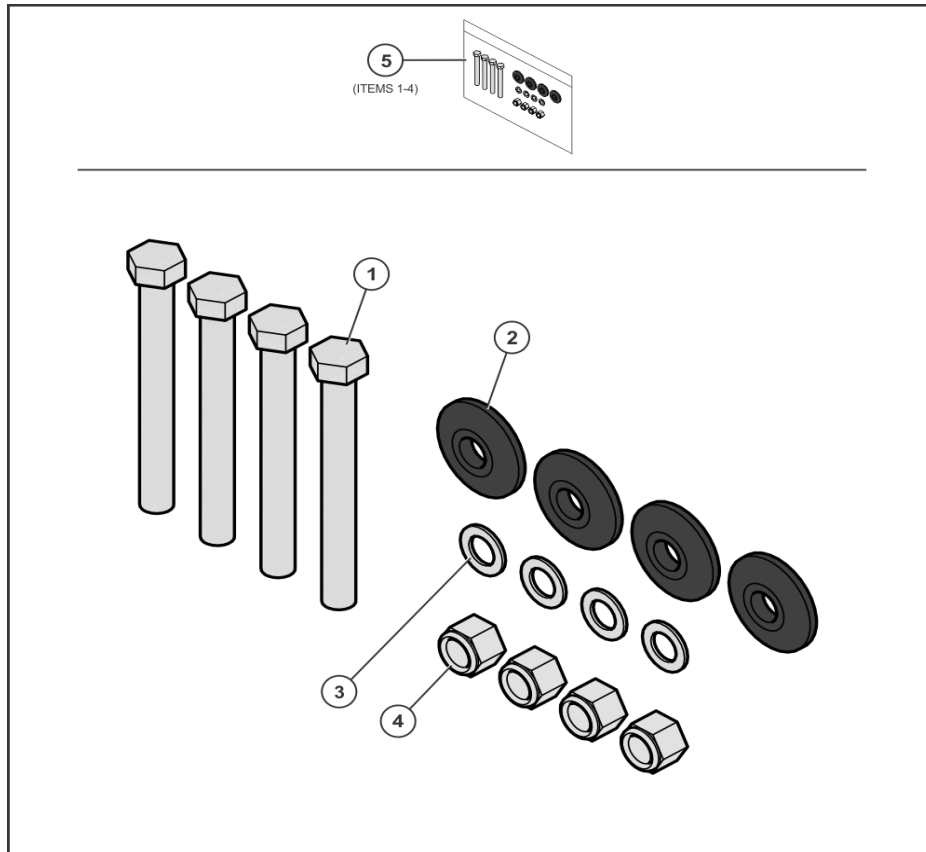
Ref #	Part Number	Qty	Description
1	1020229-0001	2	CAP: END, 3X3 8-14GA
2	1020119-0001	2	FOOT: SLIPPER, RUBBER
3	1023040-0001	2	ASSEMBLY: TRAINING UPRIGHT, 9FT, NO HARDWARE
4	WASH.5STAR	16	1/2 INTERNAL LOCK WASHER
5	3272805	32	1/2 IN - 13X 1.25 IN UNC HHCS G5 ZN
6	9097302	12	NUT, RECT TUBING, 7GA, 4 IN.
7	9097301	20	NUT, RECT TUBING, 7GA, 3 IN.
8	H-BACK-WASH	4	BACKING WASHER
9	HHB.5X5.5	2	1/2 X 5.5 BOLT
10	NUT.5LOCK	2	1/2 THICK LOCK NUT

Hardware - Kit ELT-MST



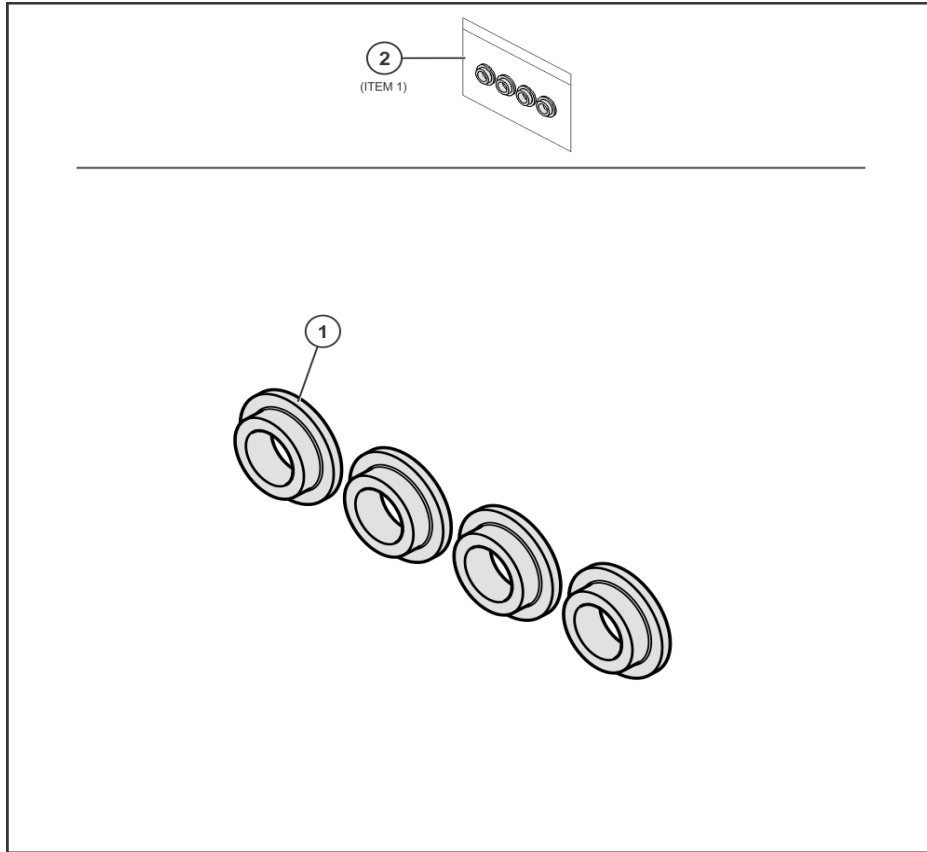
Ref #	Part Number	Qty	Description
1	HHB.5X4	4	1/2 X 4 BOLT
2	NUT.5JAMLOCK	4	1/2 THIN LOCK NUT
3	WASH.5STAR	4	1/2 INTERNAL LOCK WASHER
4	1023035-0001	1	KIT: 1/2-13 HARDWARE, ELT-MST

Hardware - Kit 1



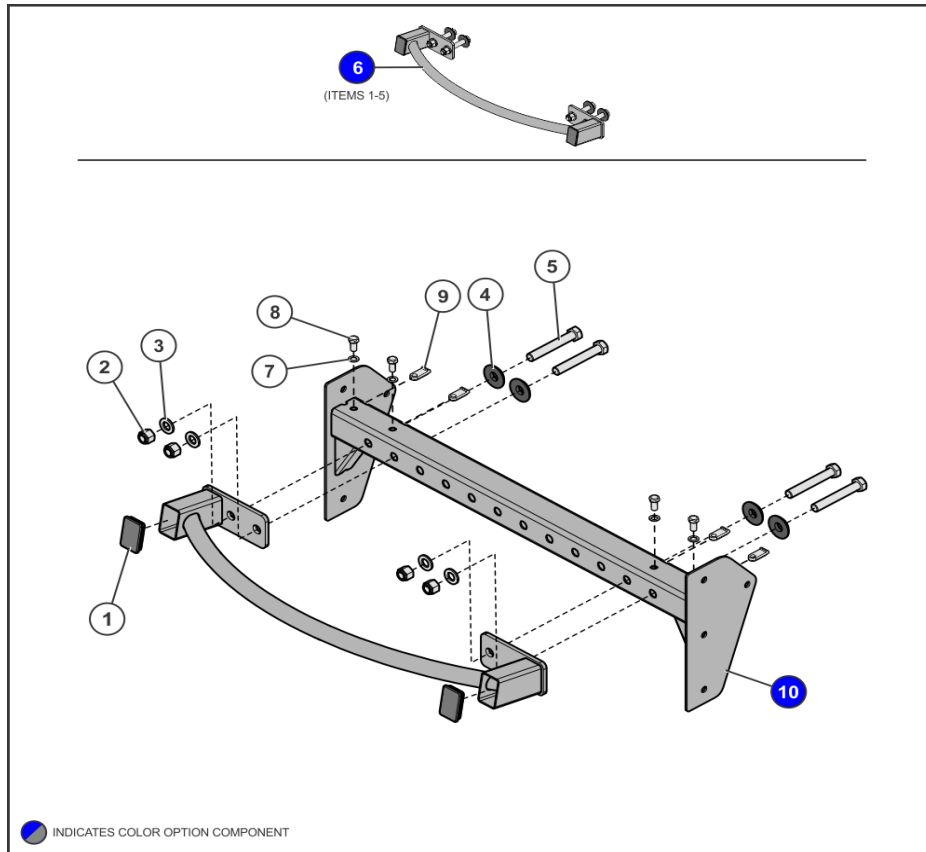
Ref #	Part Number	Qty	Description
1	HHB.5X4.5	4	1/2 X 4-1/2 BOLT
2	H-BACK-WASH	4	BACKING WASHER
3	WASH.5STAR	4	1/2 INTERNAL LOCK WASHER
4	NUT.5LOCK	4	1/2 THICK LOCK NUT
5	1020109-0001	1	KIT: HARDWARE KIT 1, HDW

Hardware - Kit 3



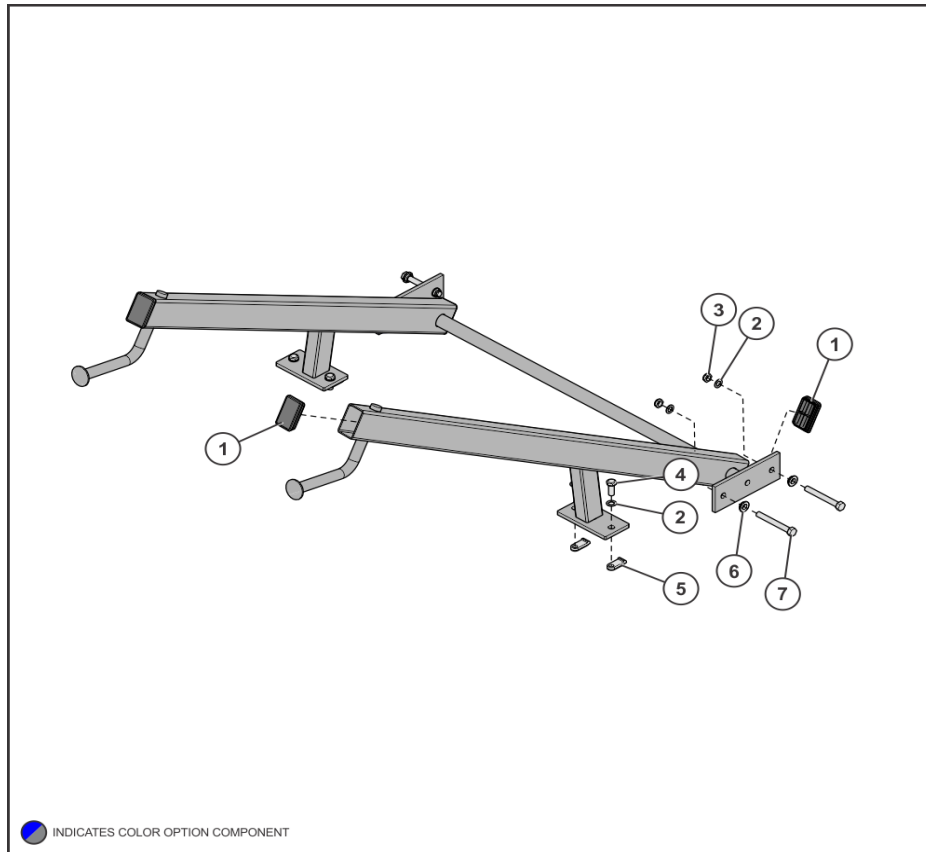
Ref #	Part Number	Qty	Description
1	1018031-0001	4	WASHER: STEP, 1/2 IN., 0.20 IN. DEEP
2	1020115-0001	1	KIT: HARDWARE KIT 3, HDW

Pull-up - Arc Bar



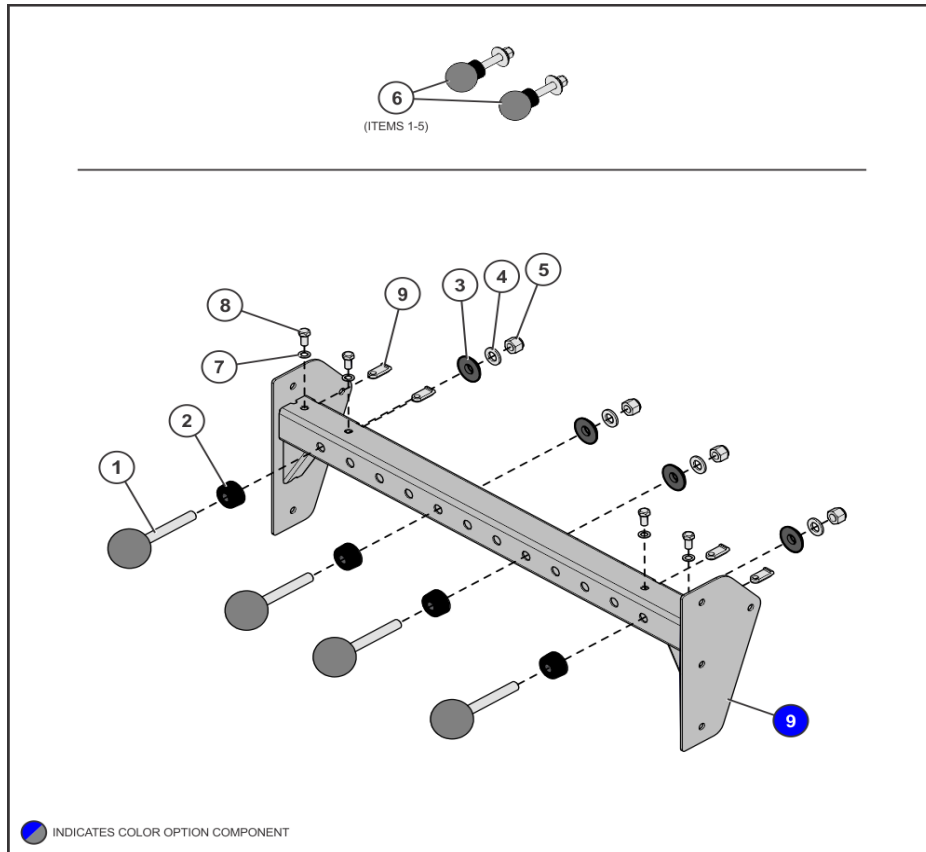
Ref #	Part Number	Qty	Description
1	1009553-0001	2	CAP, 2IN X 3IN 11-14GA, END
2	3102808	4	NUT, NYLOCK JAM 3/4-10
3	1000599-0001	4	WASHER, 3/4 IN SAE, ZN
4	1001341-0001	4	SPACER, 2.25 OD X 3/8
5	1000598-0018	4	SCREW, 3/4-10 X 5, GRADE 5, HHCS ZN
6	1003560-0001	1	ASSY, BOLTED ARC PULL UP
7	WASH.5STAR	4	1/2 INTERNAL LOCK WASHER
8	3272804	4	1/2 IN-13 X 1.00 IN UNC HHCS G5 ZN
9	9311803	4	NUT RECT TUBING 11GA 3 IN
10	1022211-0000	1	WELDMENT: CROSSMEMBER, 3X3, 42 IN

Pull-up - Ballistic Wing



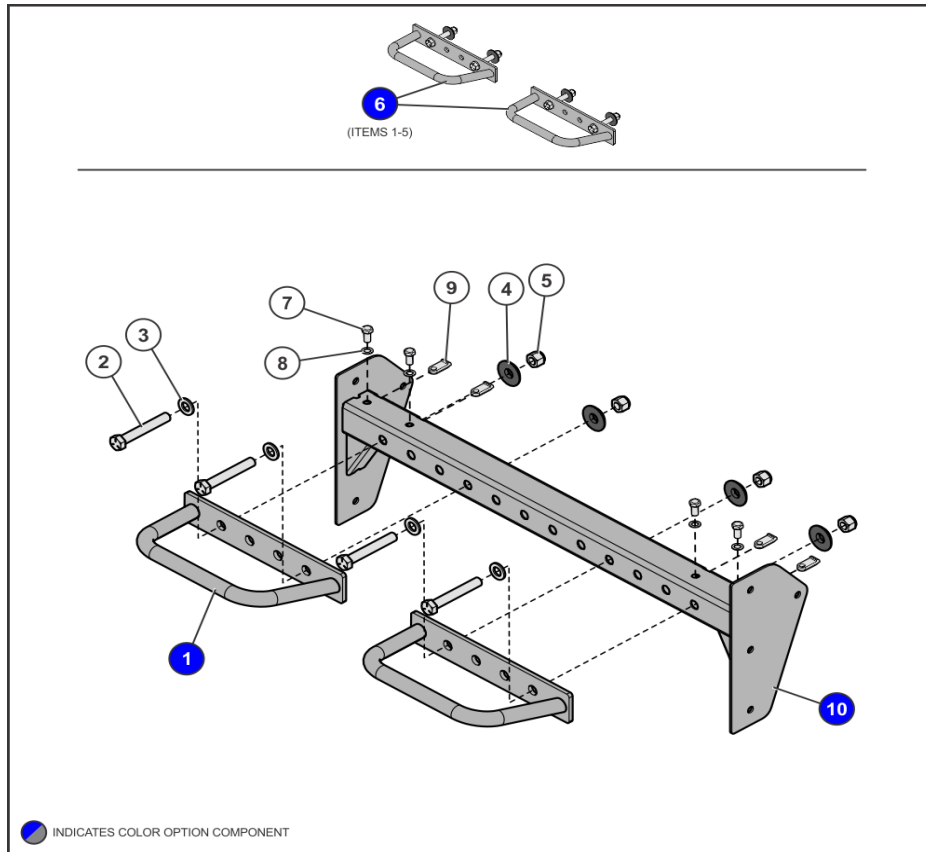
Ref #	Part Number	Qty	Description
1	1009553-0001	4	CAP, 2IN X 3IN 11-14GA, END
2	WASH.5STAR	8	1/2 INTERNAL LOCK WASHER
3	NUT.5JAMLOCK	4	1/2 THIN LOCK NUT
4	3272805	4	1/2 IN - 13X 1.25 IN UNC HHCS G5 ZN
5	9311803	4	NUT RECT TUBING 11GA 3 IN
6	1018031-0001	4	WASHER: STEP, 1/2 IN., 0.20 IN. DEEP
7	HHB.5X4	4	1/2 X 4 BOLT

Pull-up - Ball Grip



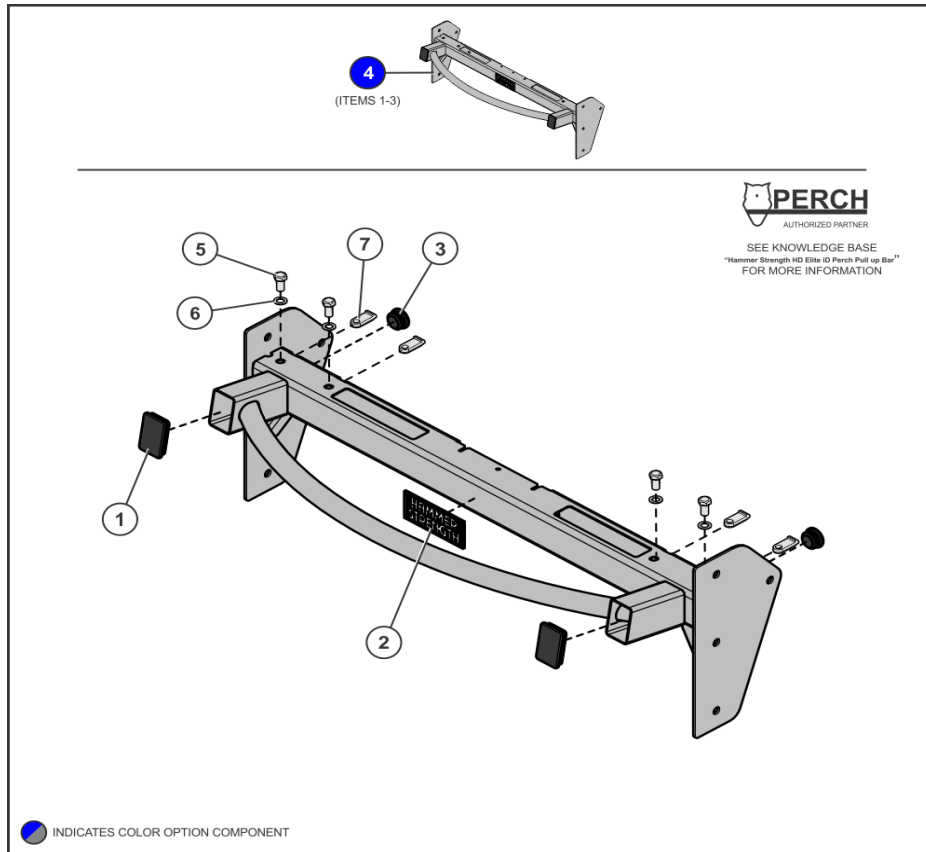
Ref #	Part Number	Qty	Description
1	1002943-0001	4	GRIP, BG3
2	7352101	4	CUSHION, WEIGHT STACK
3	1001341-0001	4	SPACER, 2.25 OD X 3/8
4	1000599-0001	4	WASHER, 3/4 IN SAE, ZN
5	3102808	4	NUT, NYLOCK JAM 3/4-10
6	1002945-0001	1	ASSY, BG3, SET
7	WASH.5STAR	4	1/2 INTERNAL LOCK WASHER
8	3272804	4	1/2 IN-13 X 1.00 IN UNC HHCS G5 ZN
9	9311803	4	NUT RECT TUBING 11GA 3 IN

Pull-up - Neutral Grip



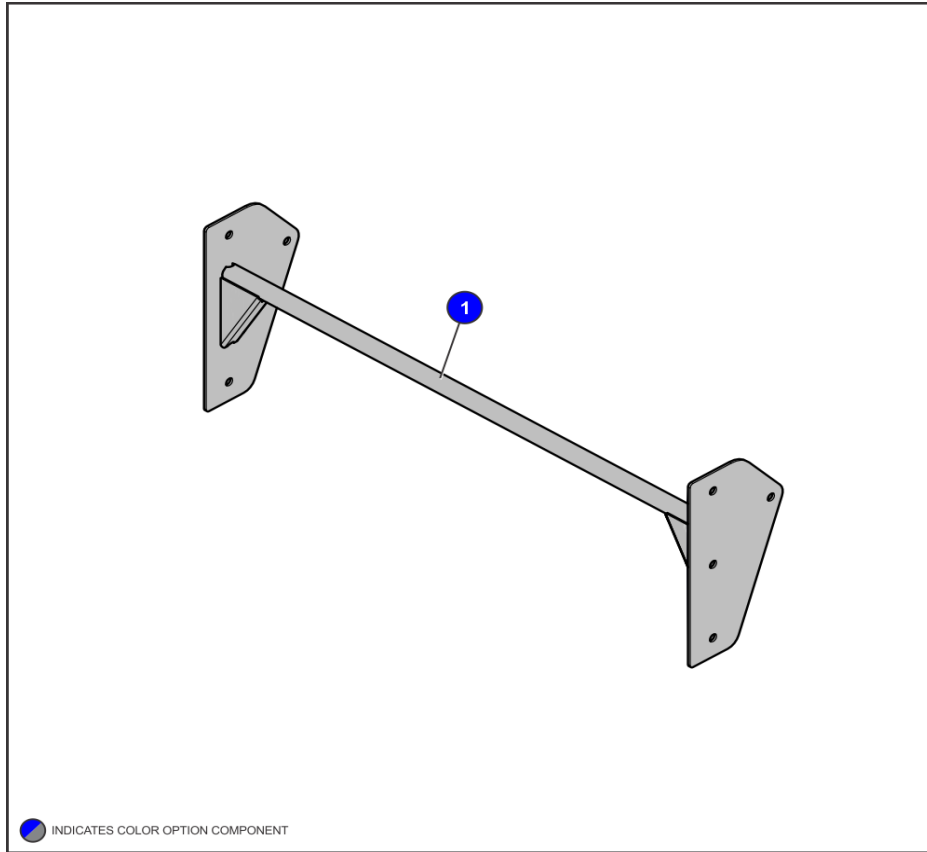
Ref #	Part Number	Qty	Description
1	1003271-0000	2	WLDMT, BOLTED NEUTRAL PULL UP
2	1000598-0018	4	SCREW, 3/4-10 X 5, GRADE 5, HHCS ZN
3	1000599-0001	4	WASHER, 3/4 IN SAE, ZN
4	1001341-0001	4	SPACER, 2.25 OD X 3/8
5	3102808	4	NUT, NYLOCK JAM 3/4-10
6	1004083-0001	1	ASSY, BOLTED NEUTRAL PULL UP
7	3272804	4	1/2 IN-13 X 1.00 IN UNC HHCS G5 ZN
8	WASH.5STAR	4	1/2 INTERNAL LOCK WASHER
9	9311803	4	NUT RECT TUBING 11GA 3 IN
10	1022211-0000	1	WELDMENT: CROSSMEMBER, 3X3, 42 IN

Pull-up - Perch Arc



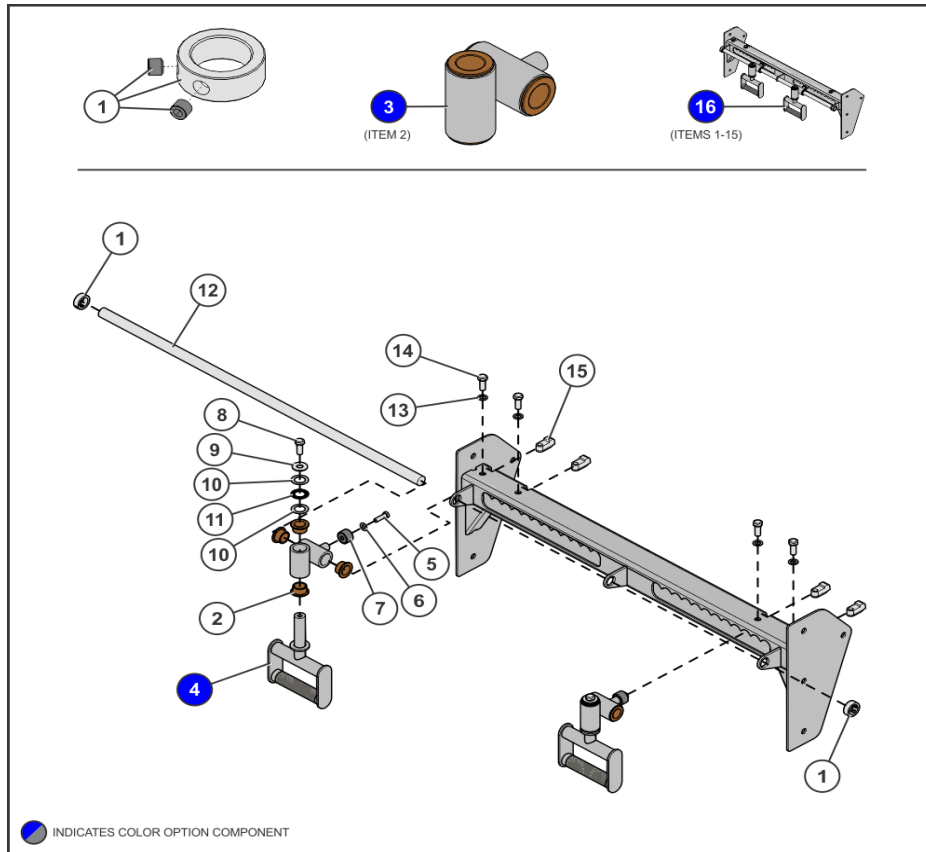
Ref #	Part Number	Qty	Description
1	1009553-0001	2	CAP, 2IN X 3IN 11-14GA, END
2	H-NAMEPLATE	1	NAME PLATE
3	7662602	2	PLUG, HAMMER(LARGE)
4	1023020-0001	1	ASSEMBLY: PU, PERCH W/ ARC BAR
5	3272804	4	1/2 IN-13 X 1.00 IN UNC HHCS G5 ZN
6	WASH.5STAR	4	1/2 INTERNAL LOCK WASHER
7	9311803	4	NUT RECT TUBING 11GA 3 IN

Pull-up - Straight



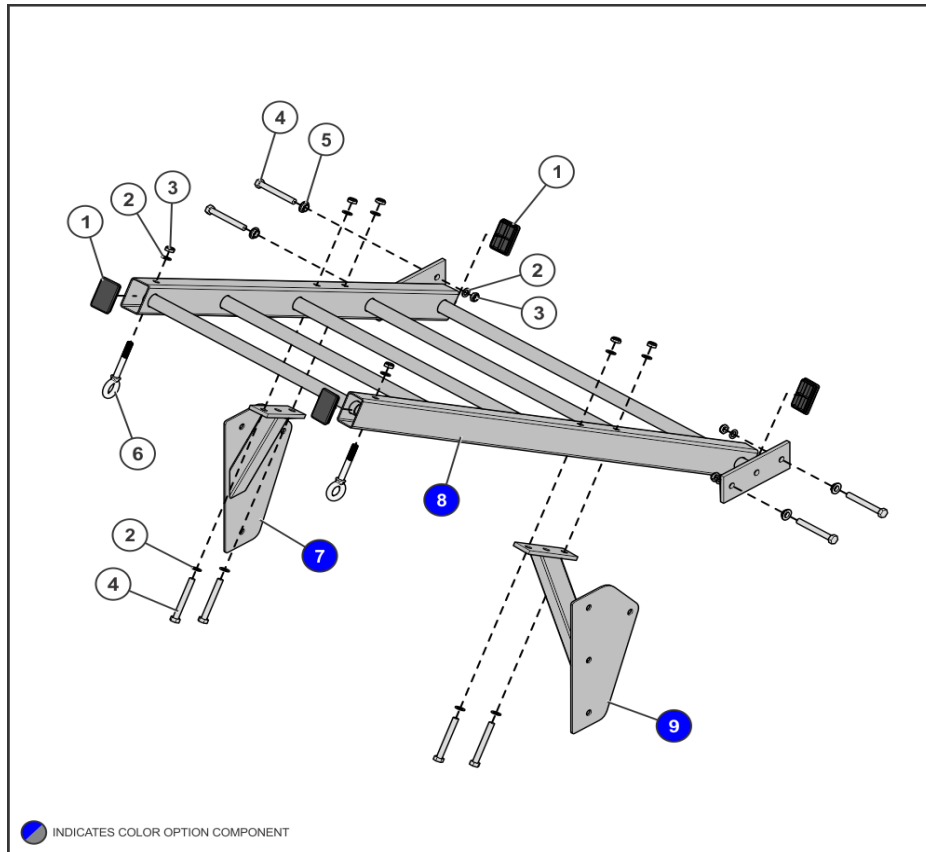
Ref #	Part Number	Qty	Description
1	1022078-0000	1	WELDMENT: PULLUP, STRAIGHT BAR

Pull-up - Straight Adj. Rotating



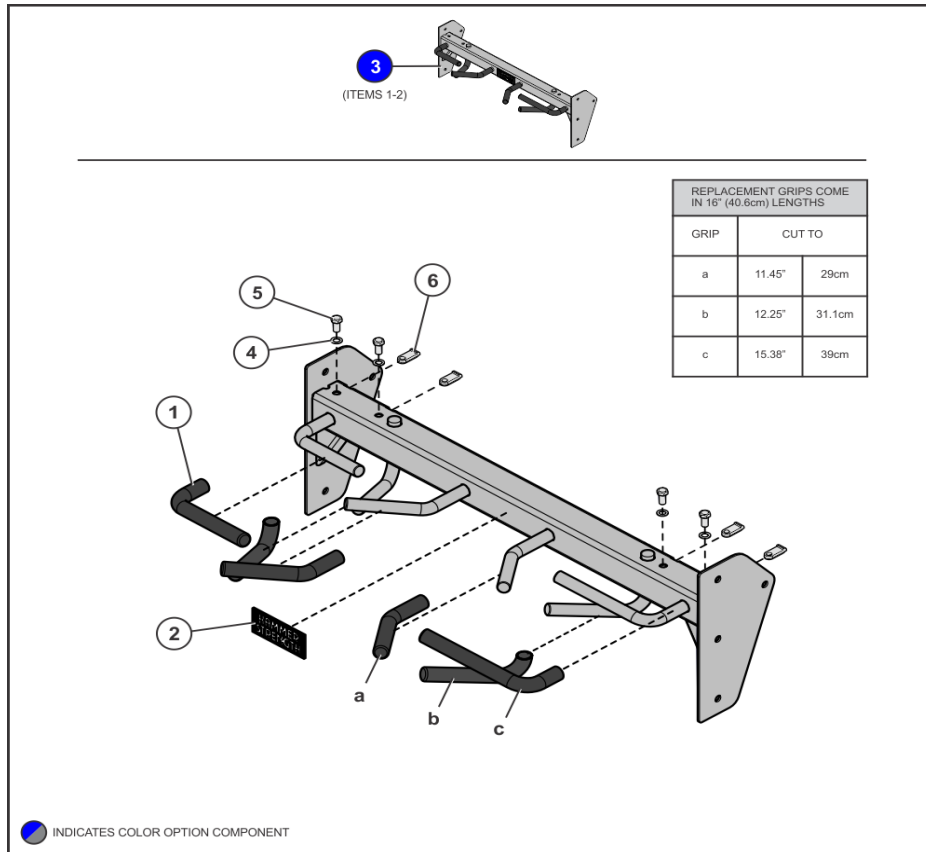
Ref #	Part Number	Qty	Description
1	7435301	2	COLLAR, SHAFT 1.020 ID
2	1002878-0003	4	BRNG, FLANGE 1.00 ID X 1.25 OD
3	8860300	1	ASSY, ADJ PULL-UP SLIDE
4	9187400	2	WLDMT, ADJ PULL-UP, HANDLE
5	3251302	2	3/8-16 X 1-1/4 UNS HEX FHB G5 ZN/ PATCH
6	WASH.375SAE	2	3/8 SAE FLAT WASHER
7	3248401	2	CAM FOLLOWER TORRINGTON YCRS-20
8	3272805	2	1/2 IN - 13X 1.25 IN UNC HHCS G5 ZN
9	3246501	2	WASHER, FENDER 1/2 IN. ID. X 1.375 IN. OD.
10	9117401	4	WASHER, THRUST NEEDLE-ROLLER BEARING, 1 IN. ID
11	9117301	2	BEARING, THRUST NEEDLE-ROLLER, 1 IN. ID
12	9050301	1	GUIDE ROD, PULL-UP, STRAIGHT, ADJUSTABLE ROTATING, KNURLED, 1 IN. OD
13	WASH.5STAR	4	1/2 INTERNAL LOCK WASHER
14	3272804	4	1/2 IN-13 X 1.00 IN UNC HHCS G5 ZN
15	9311803	4	NUT RECT TUBING 11GA 3 IN
16	1021974-0001	1	ASSEMBLY, PULL-UP, STRAIGHT, ADJUSTABLE

Pull-up - Wing



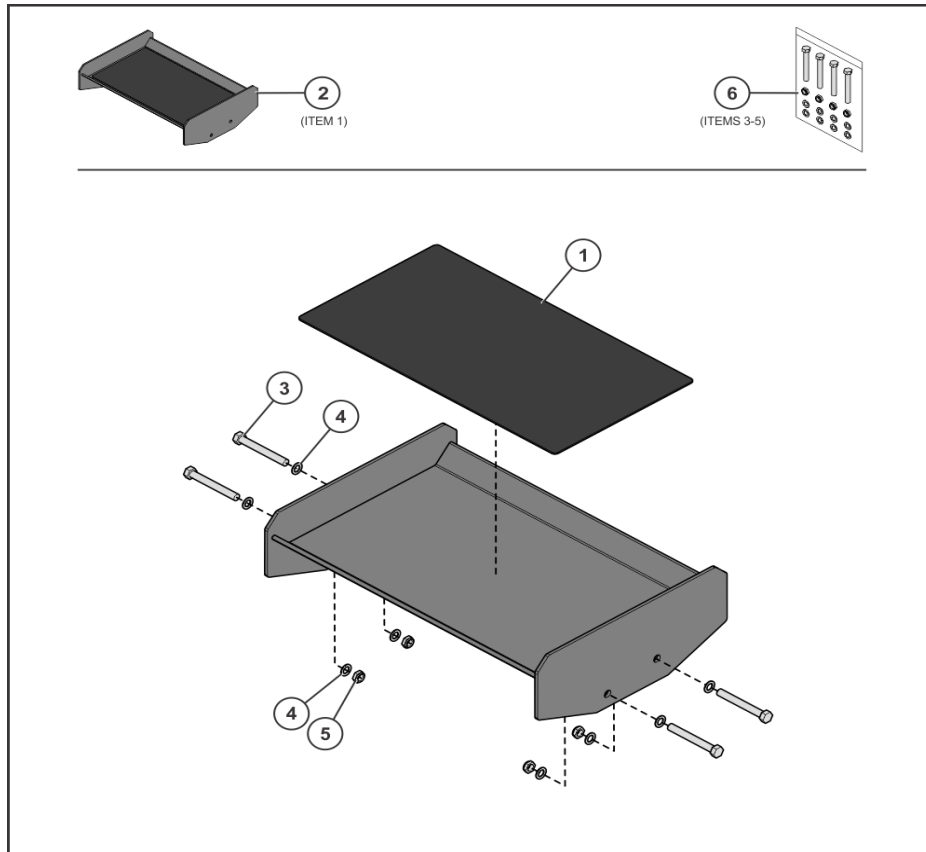
Ref #	Part Number	Qty	Description
1	RC1530-1Q1	4	CAP:1-1/2 X 3 RECTANGLE PLUG
2	WASH.5STAR	14	1/2 INTERNAL LOCK WASHER
3	NUT.5JAMLOCK	10	1/2 THIN LOCK NUT
4	HHB.5X4	8	1/2 X 4 BOLT
5	1018031-0001	4	WASHER: STEP, 1/2 IN., 0.20 IN. DEEP
6	9120902	2	BOLT, EYE, 1/2-13 X 3.25
7	1023137-0000	1	WELDMENT: WING, SUPPORT, LEFT
8	1023144-0000	1	WELDMENT: WING, TOP
9	1023135-0000	1	WELDMENT: WING, SUPPORT, RIGHT

Pull-up - 3-Handle



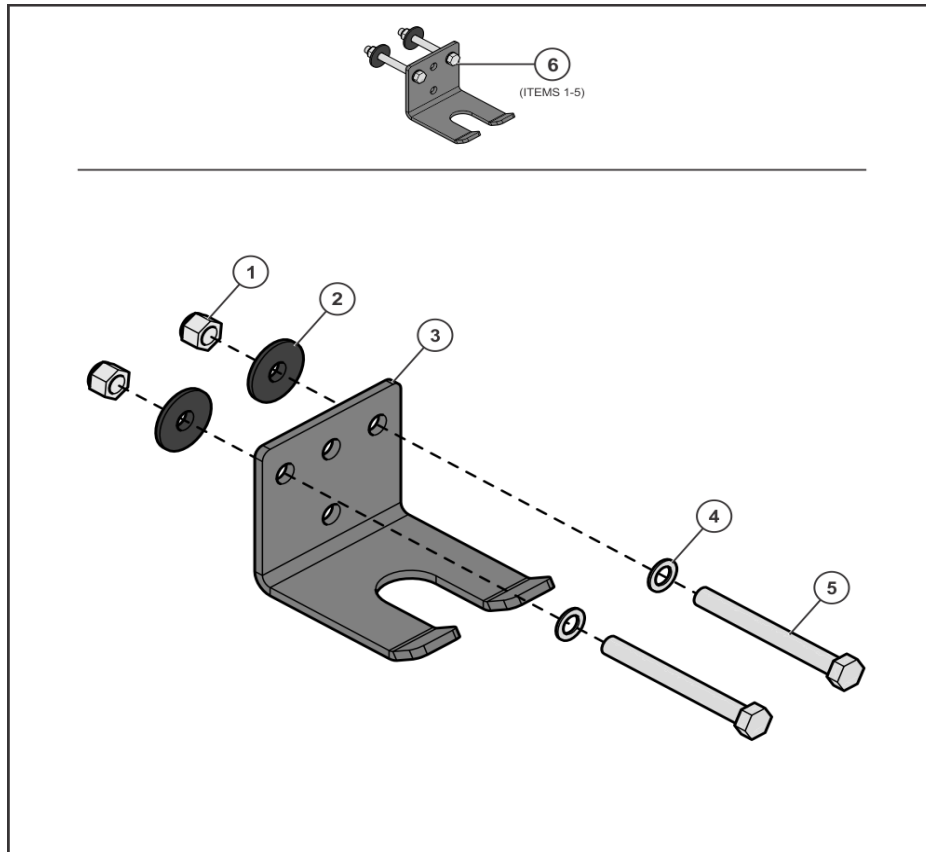
Ref #	Part Number	Qty	Description
1	H-GRIP	6	HANDLE GRIPS (.938X16)
2	H-NAMEPLATE	1	NAME PLATE
3	1022759-0001	1	ASSEMBLY: PULLUP, 3X3 3 HANDLE
4	WASH.5STAR	4	1/2 INTERNAL LOCK WASHER
5	3272804	4	1/2 IN-13 X 1.00 IN UNC HHCS G5 ZN
6	9311803	4	NUT RECT TUBING 11GA 3 IN

Storage - Modular Accessory Shelf



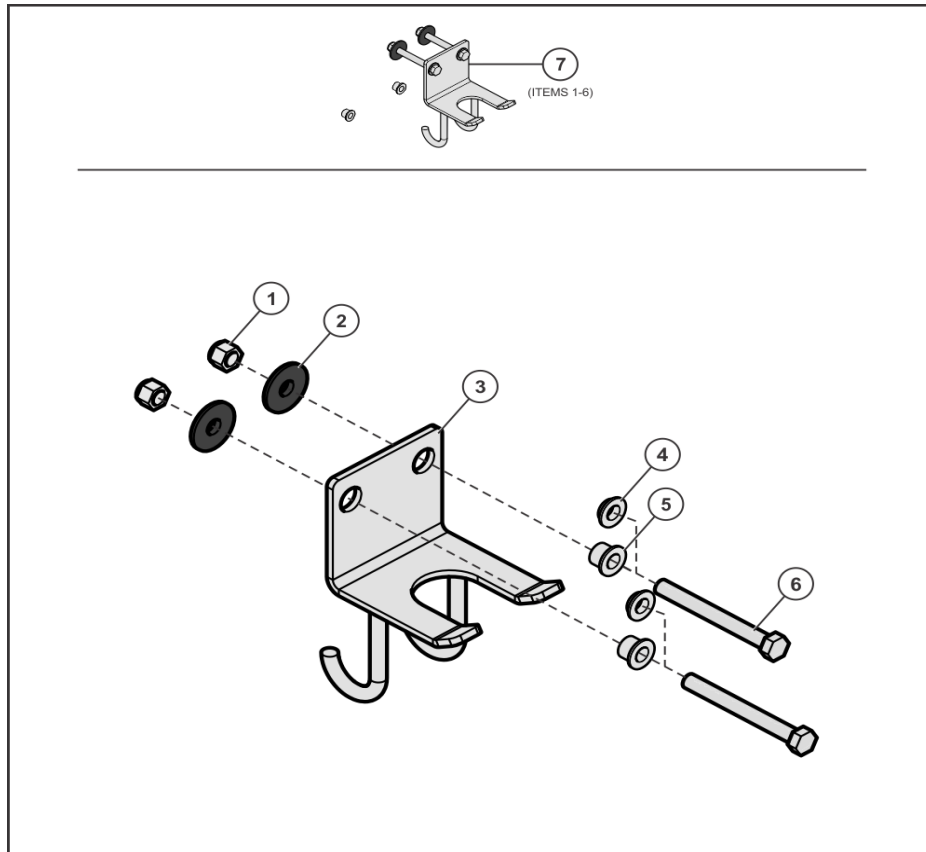
Ref #	Part Number	Qty	Description
1	1022640-0001	1	GUARD: ACCESSORY SHELF, 24
2	1022778-0001	1	ASSEMBLY: MODULAR ACCESSORY SHELF
3	HHB.5X4	4	1/2 X 4 BOLT
4	WASH.5STAR	8	1/2 INTERNAL LOCK WASHER
5	NUT.5JAMLOCK	4	1/2 THIN LOCK NUT
6	1023035-0001	1	KIT: 1/2-13 HARDWARE, ELT-MST

Storage - Bar Holder Single



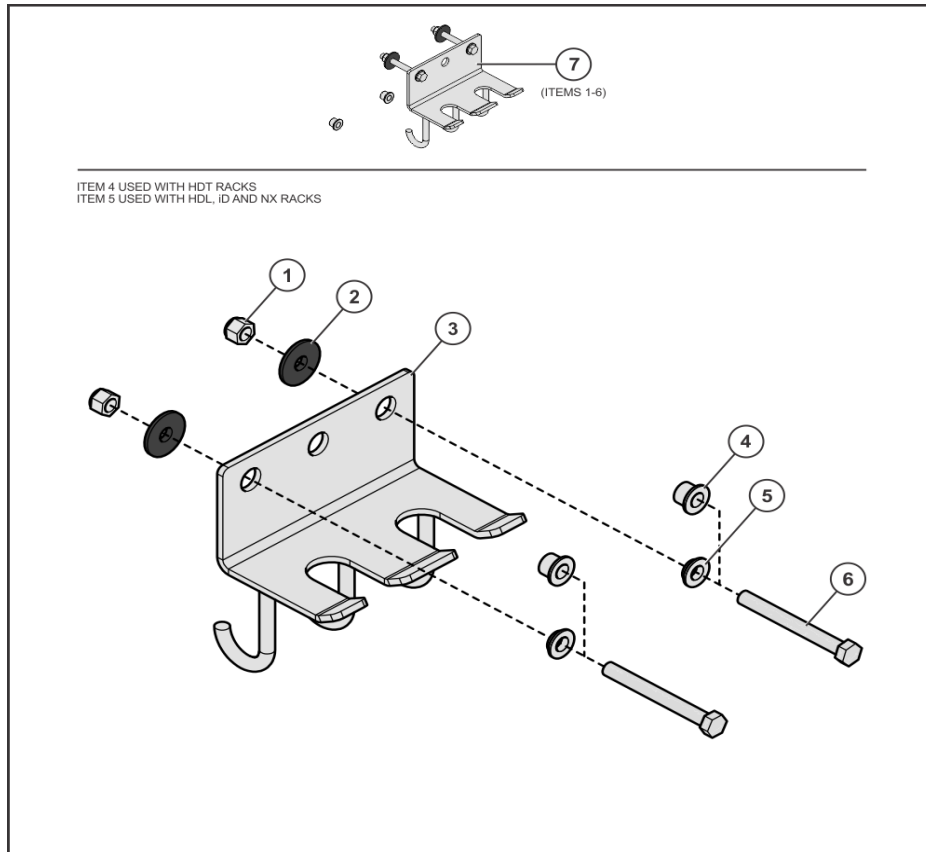
Ref #	Part Number	Qty	Description
1	NUT.5LOCK	2	1/2 THICK LOCK NUT
2	H-BACK-WASH	2	BACKING WASHER
3	1020181-0028	1	BRACKET: BAR HANGER -CHR
4	WASH.5STAR	2	1/2 INTERNAL LOCK WASHER
5	HHB.5X4.5	2	1/2 X 4-1/2 BOLT
6	1020616-0001	1	ASSEMBLY: BAR HANGER

Storage - Bar Holder Thick



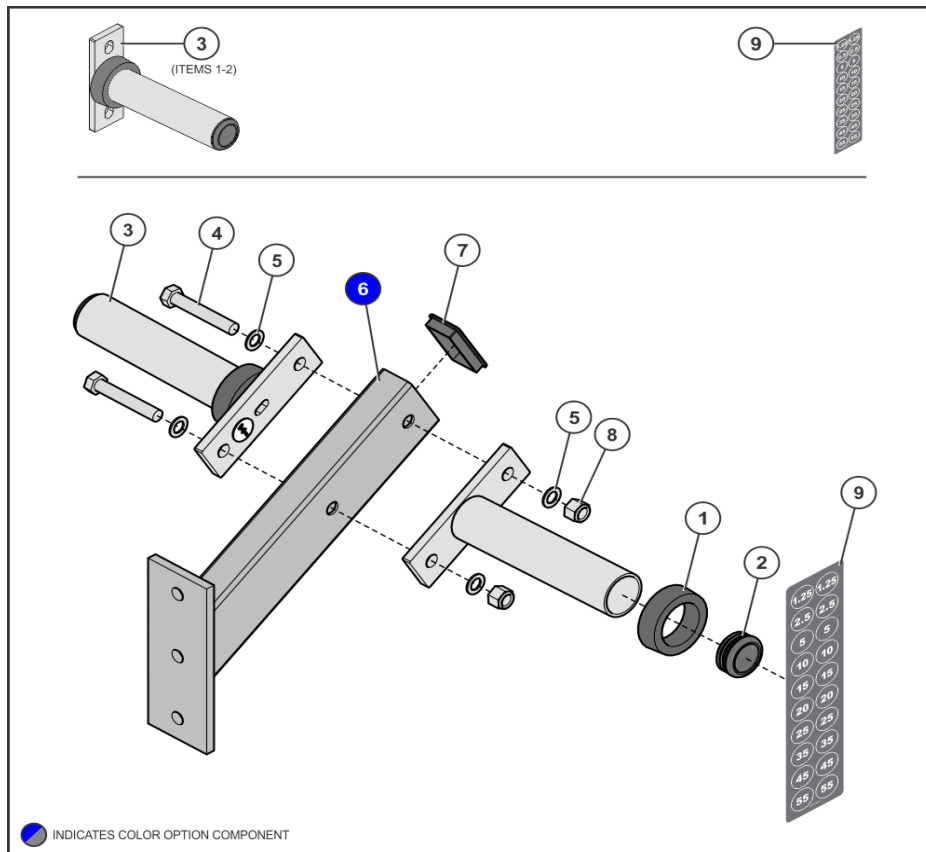
Ref #	Part Number	Qty	Description
1	NUT.5LOCK	2	1/2 THICK LOCK NUT
2	H-BACK-WASH	2	BACKING WASHER
3	9112801	1	WLDMT, HDE, BAR-CHAIN, LG
4	1018031-0001	2	WASHER: STEP, 1/2 IN., 0.20 IN. DEEP
5	1018031-0002	2	WASHER: STEP, 1/2 IN., 0.57 IN. DEEP
6	HHB.5X4.5	2	1/2 X 4-1/2 BOLT
7	1023258-0001	1	ASSEMBLY: THICK BAR STORAGE

Storage - Bar Holder 2



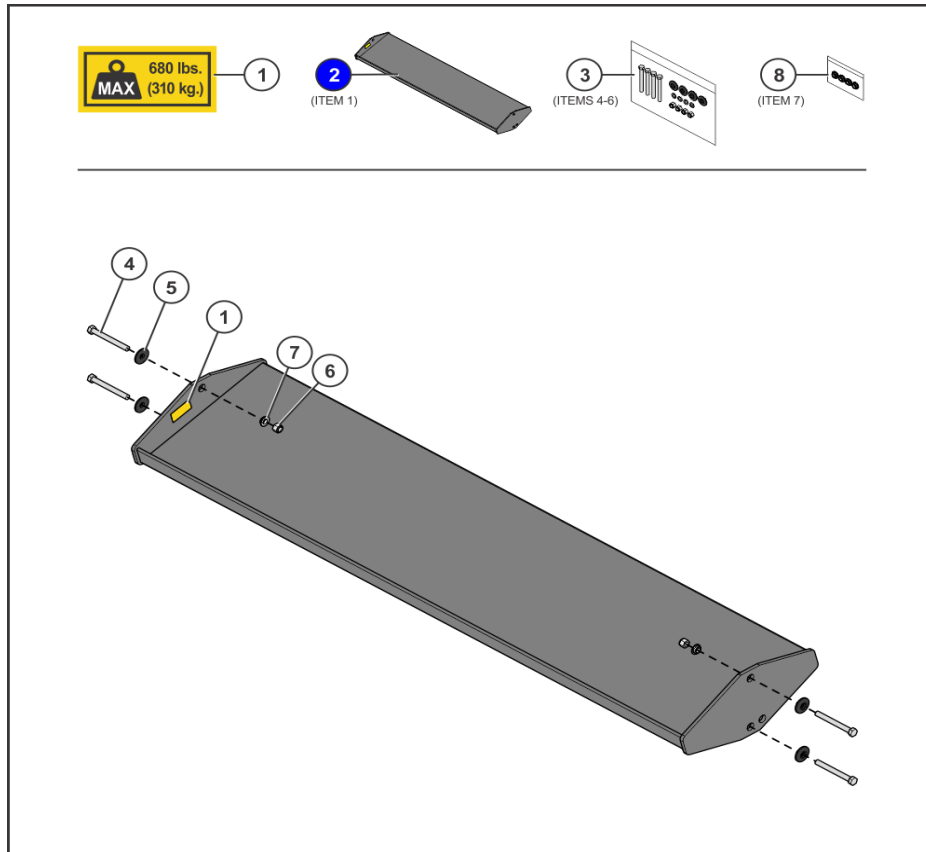
Ref #	Part Number	Qty	Description
1	NUT.5JAMLOCK	2	1/2 THIN LOCK NUT
2	H-BACK-WASH	2	BACKING WASHER
3	1022420-0001	1	WELDMENT: HANGING BAR STORAGE
4	1018031-0002	2	WASHER: STEP, 1/2 IN., 0.57 IN. DEEP
5	1018031-0001	2	WASHER: STEP, 1/2 IN., 0.20 IN. DEEP
6	HHB.5X4	2	1/2 X 4 BOLT
7	1022993-0001	1	ASSEMBLY: 2 BAR STORAGE HANGER

Storage - Bullhorn



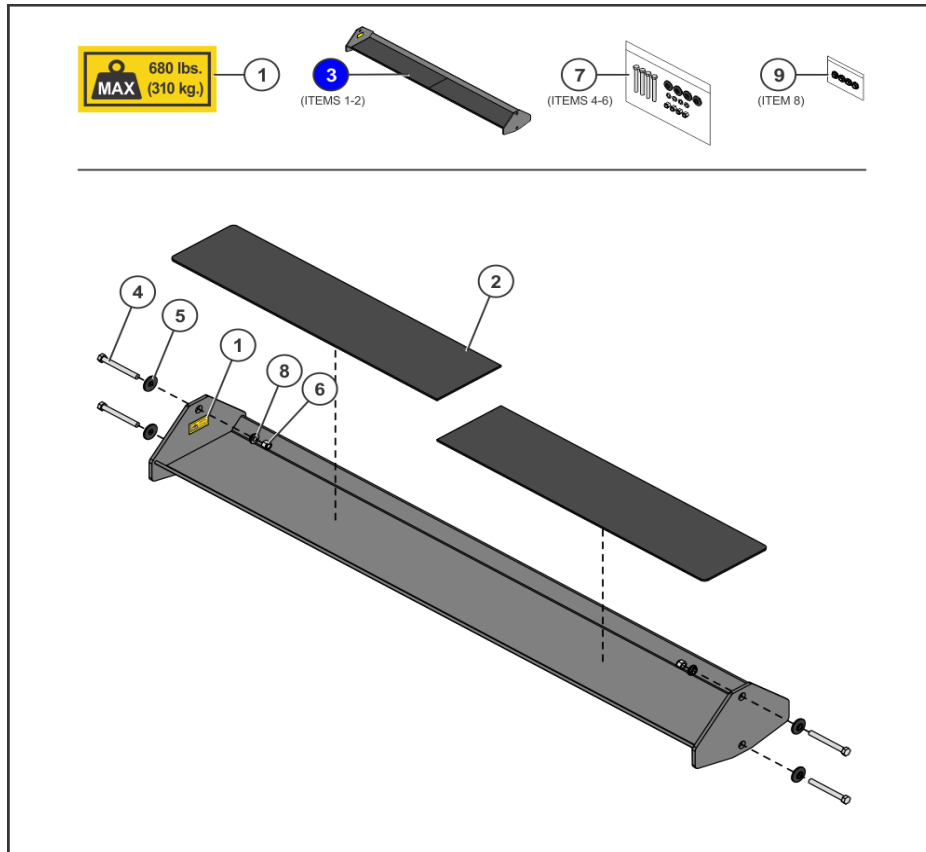
Ref #	Part Number	Qty	Description
1	7671601	2	BUMPER, WEIGHT HORN/ROD
2	8078001	2	CAP, END, 1.75OD, W/EMBOSS, 10-0125-011, BNR
3	1002183-0001	2	ASSY, WEIGHT HORN -HRZNTL
4	HHB.5X3	2	1/2 X 3 BOLT
5	WASH.5STAR	4	1/2 INTERNAL LOCK WASHER
6	1021927-0000	1	WELDMENT: CHANGE PLATE STORAGE
7	RC1530-1Q1	1	CAP:1-1/2 X 3 RECTANGLE PLUG
8	NUT.5LOCK	2	1/2 THICK LOCK NUT
9	8351801	1	LABEL, WEIGHT HORN, SHEET

Storage - Dumbbell Tray 72 Inch



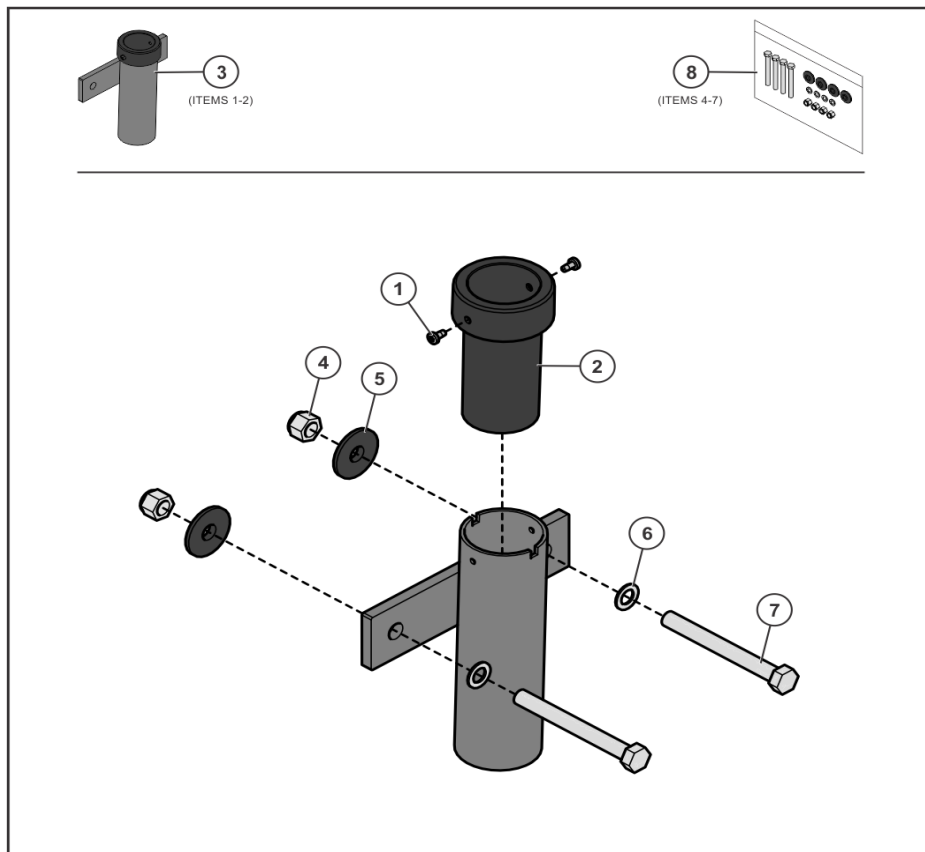
Ref #	Part Number	Qty	Description
1	1001179-0001	1	LABEL, MAX CAPACITY, 680 LB
2	1003008-0000	1	ASSY, AT, DB TRAY, 72, SUB
3	1020109-0001	1	KIT: HARDWARE KIT 1, HDW
4	HHB.5X4.5	4	1/2 X 4-1/2 BOLT
5	H-BACK-WASH	4	BACKING WASHER
6	NUT.5LOCK	4	1/2 THICK LOCK NUT
7	1018031-0001	4	WASHER: STEP, 1/2 IN., 0.20 IN. DEEP
8	1020115-0001	1	KIT: HARDWARE KIT 3, HDW

Storage - Kettle Bell Tray 72 Inch



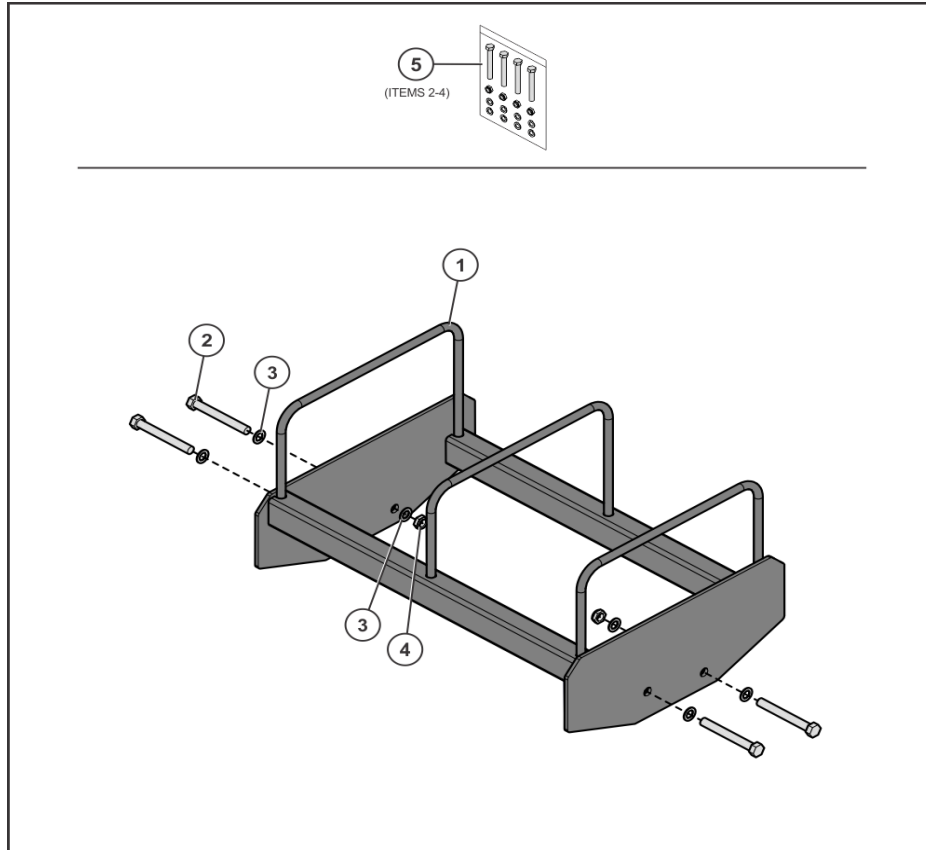
Ref #	Part Number	Qty	Description
1	1001179-0001	1	LABEL, MAX CAPACITY, 680 LB
2	1001177-0001	2	RUBBER, KB TRAY, 72
3	1003006-0000	1	ASSY, AT, KB TRAY, 72, SUB
4	HHB.5X4.5	4	1/2 X 4-1/2 BOLT
5	H-BACK-WASH	4	BACKING WASHER
6	NUT.5LOCK	4	1/2 THICK LOCK NUT
7	1020109-0001	1	KIT: HARDWARE KIT 1, HDW
8	1018031-0001	4	WASHER: STEP, 1/2 IN., 0.20 IN. DEEP
9	1020115-0001	1	KIT: HARDWARE KIT 3, HDW

Storage - Low Bar



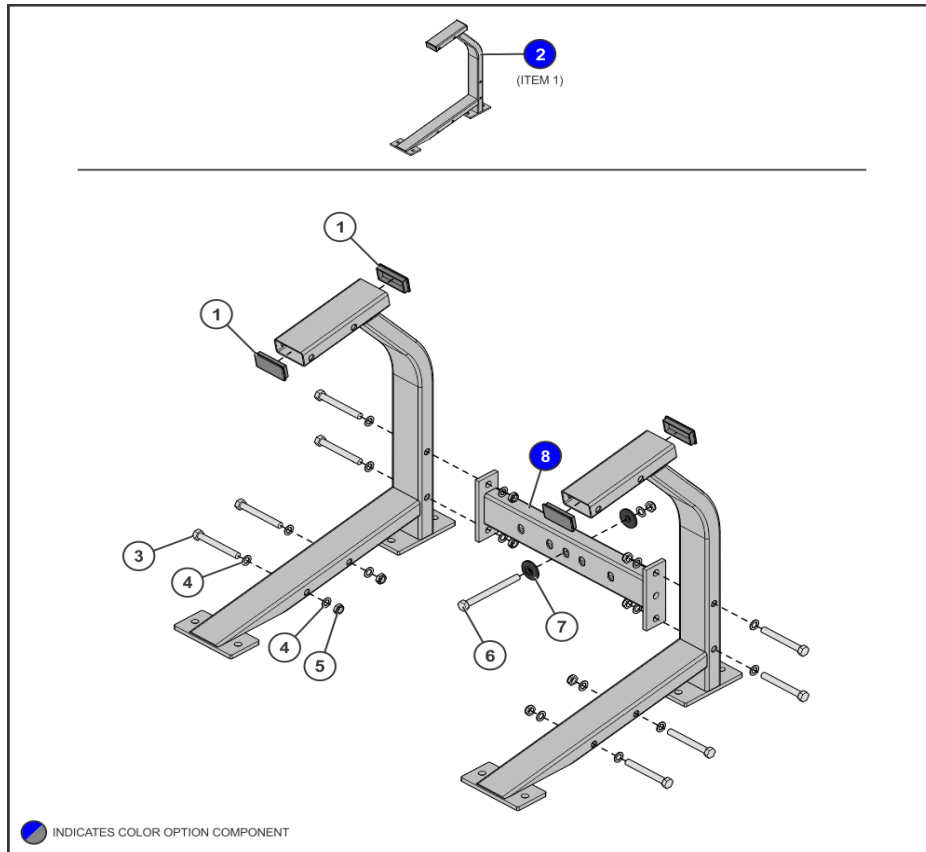
Ref #	Part Number	Qty	Description
1	3270601	2	SCREW, #10-32 X 3/8 TRX PAN ST BZ
2	9045101	1	CAP, HDE, LANDMINE, WORK ARM
3	1020180-0001	1	ASSEMBLY: LOW BAR STOR
4	NUT.5LOCK	2	1/2 THICK LOCK NUT
5	H-BACK-WASH	2	BACKING WASHER
6	WASH.5STAR	2	1/2 INTERNAL LOCK WASHER
7	HHB.5X4.5	2	1/2 X 4-1/2 BOLT
8	1020109-0001	1	KIT: HARDWARE KIT 1, HDW

Storage - Modular Bumper Tray



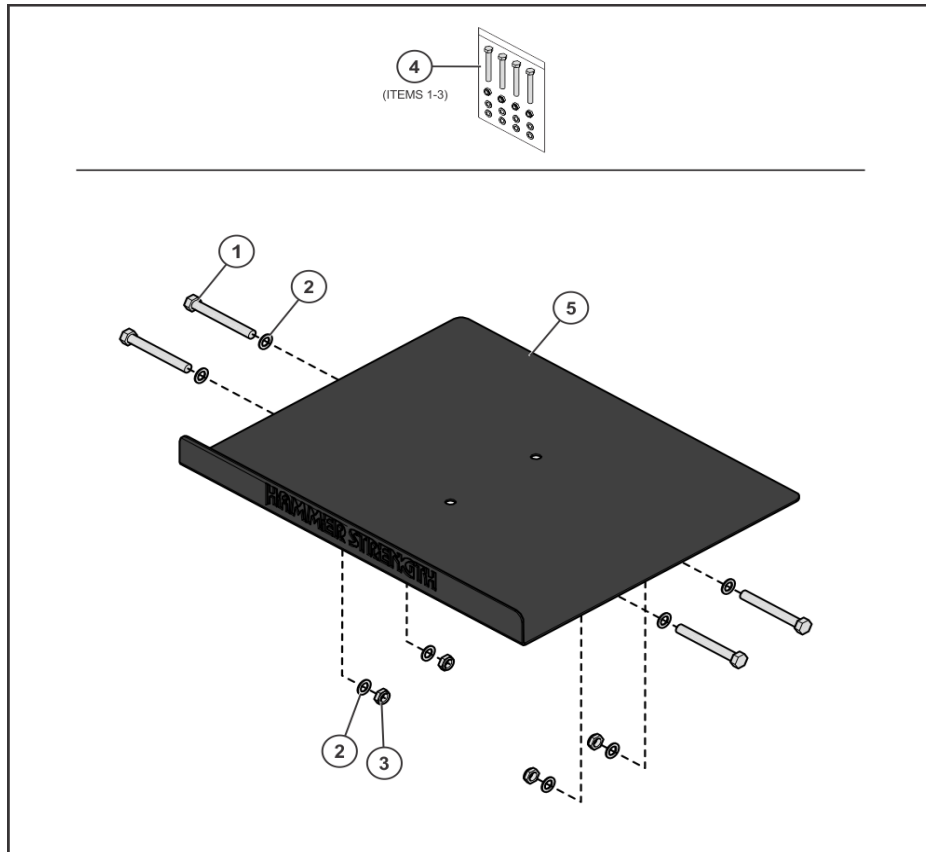
Ref #	Part Number	Qty	Description
1	1021870-0028	1	WELDMENT: MODULAR STORAGE, BUMPER PLATES - CHR
2	HHB.5X4	4	1/2 X 4 BOLT
3	WASH.5STAR	8	1/2 INTERNAL LOCK WASHER
4	NUT.5JAMLOCK	4	1/2 THIN LOCK NUT
5	1023035-0001	1	KIT: 1/2-13 HARDWARE, ELT-MST

Storage - Modular Frame



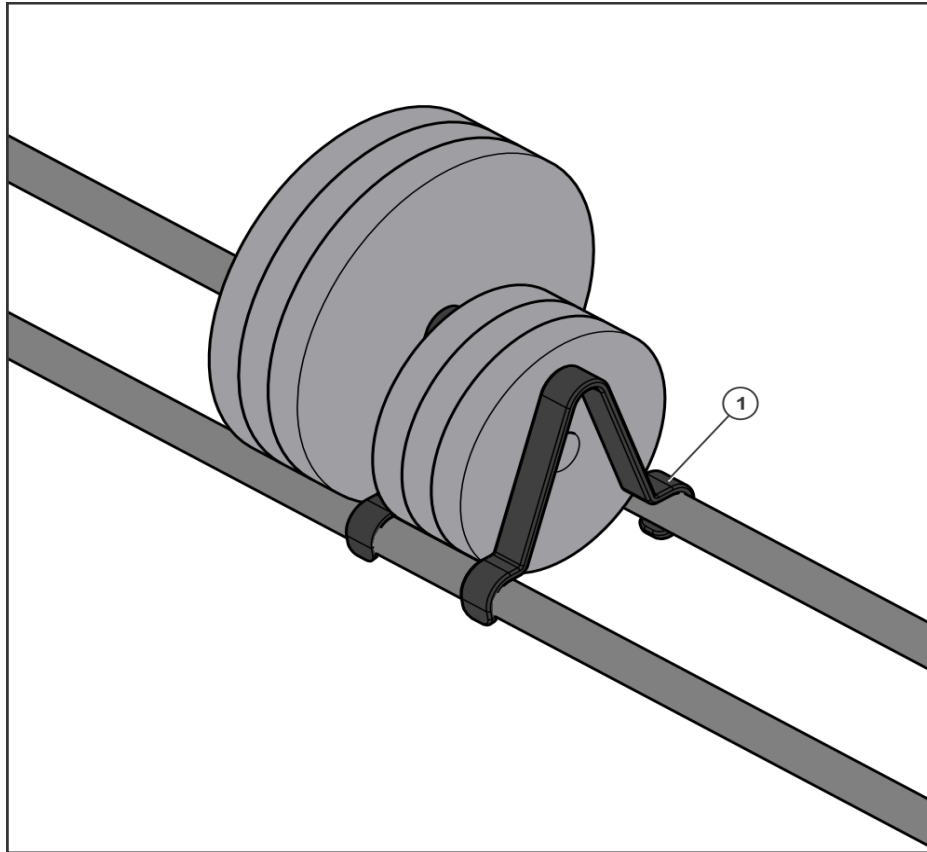
Ref #	Part Number	Qty	Description
1	RC1530-1Q1	4	CAP:1-1/2 X 3 RECTANGLE PLUG
2	1023033-0001	2	ASSEMBLY: SIDE FRAME, ELT-MST
3	HHB.5X4.5	8	1/2 X 4-1/2 BOLT
4	WASH.5STAR	17	1/2 INTERNAL LOCK WASHER
5	NUT.5JAMLOCK	9	1/2 THIN LOCK NUT
6	HHB.5X5.5	1	1/2 X 5.5 BOLT
7	H-BACK-WASH	2	BACKING WASHER
8	1021872-0000	1	WELDMNT: MODULAR STORAGE, CROSS MEMBER

Storage - Modular Powerblock Tray



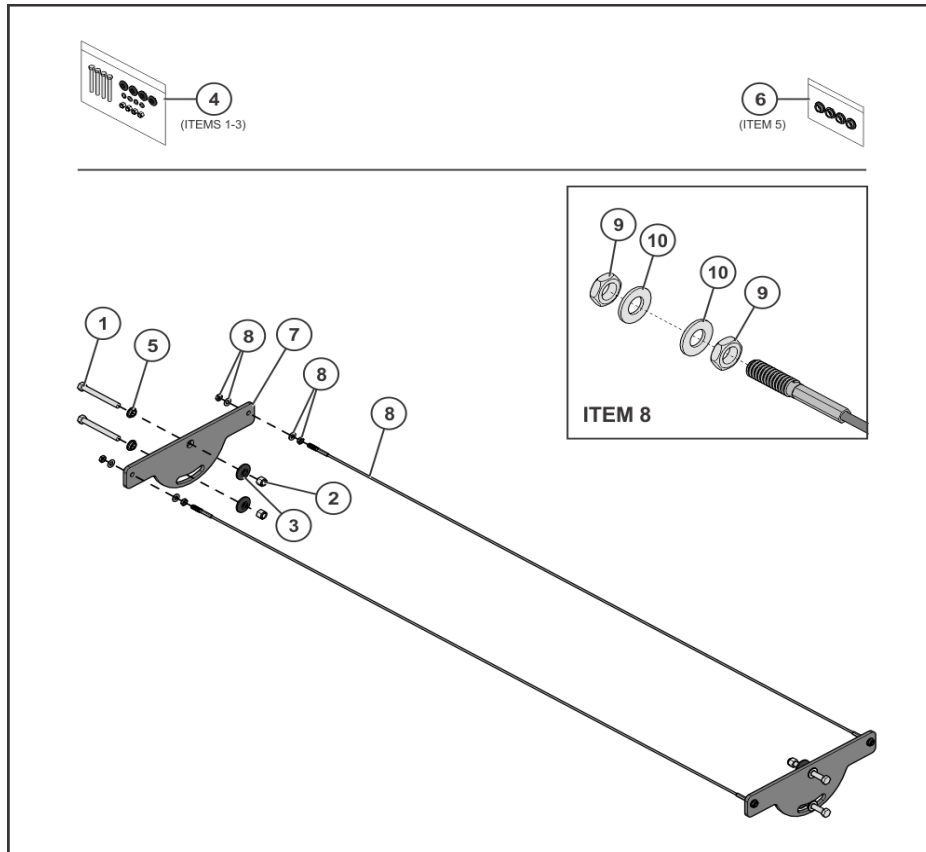
Ref #	Part Number	Qty	Description
1	HHB.5X4	4	1/2 X 4 BOLT
2	WASH.5STAR	8	1/2 INTERNAL LOCK WASHER
3	NUT.5JAMLOCK	4	1/2 THIN LOCK NUT
4	1023035-0001	1	KIT: 1/2-13 HARDWARE, ELT-MST
5	1023224-0028	1	WELDMENT: TOP TRAY, HSH-DRA - CHR

Storage - Plate Divider



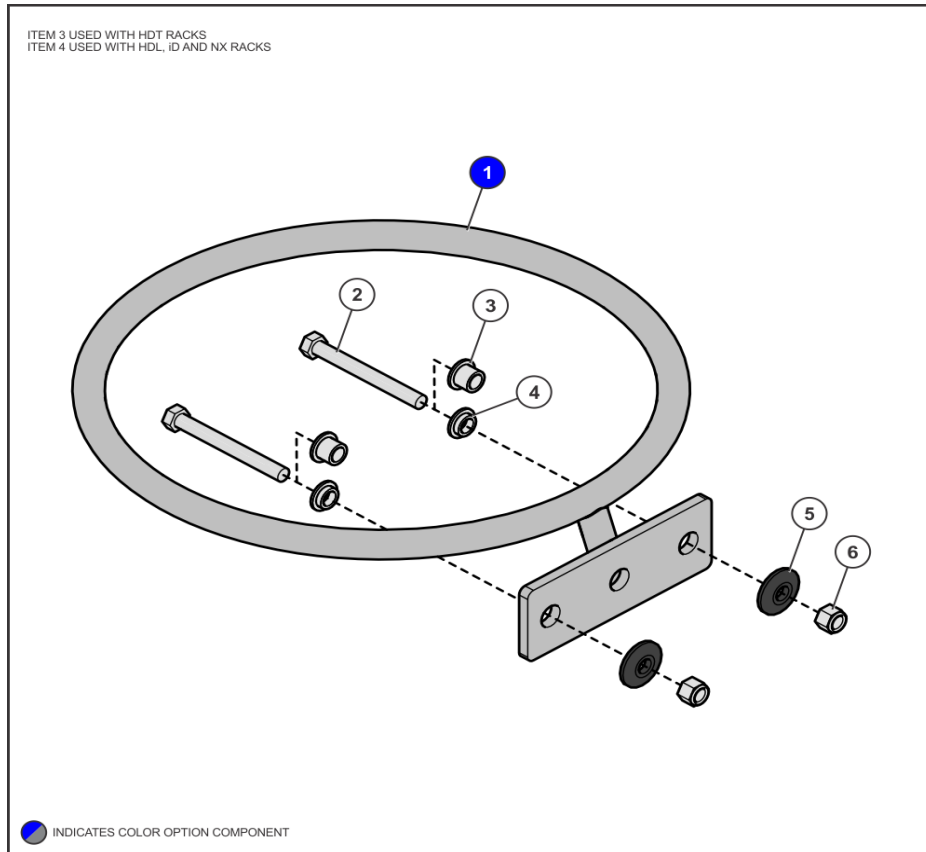
Ref #	Part Number	Qty	Description
1	1001138-0001	1	BRKT, 1/4, BP DIVIDER

Storage - Stability Ball 72 Inch



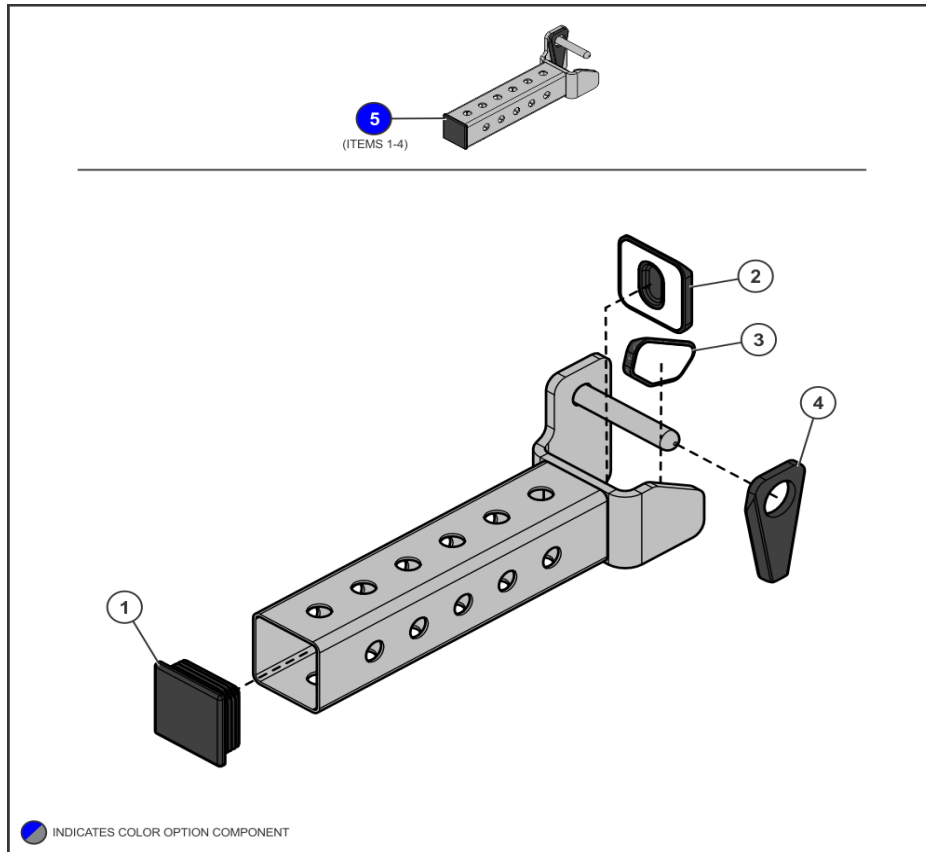
Ref #	Part Number	Qty	Description
1	HHB.5X4.5	4	1/2 X 4-1/2 BOLT
2	NUT.5LOCK	4	1/2 THICK LOCK NUT
3	H-BACK-WASH	4	BACKING WASHER
4	1020109-0001	1	KIT: HARDWARE KIT 1, HDW
5	1018031-0001	4	WASHER: STEP, 1/2 IN., 0.20 IN. DEEP
6	1020115-0001	1	KIT: HARDWARE KIT 3, HDW
7	1007581-0037	2	PLATE: 3/8, HDA, SBS -HWC
8	1007114-0002	2	CABLE, SBS, 72
9	WASH.375SAE	8	3/8 SAE FLAT WASHER
10	3236901	8	NUT, HEX JAM M10 X 1.5 SS

Storage - Top Ball



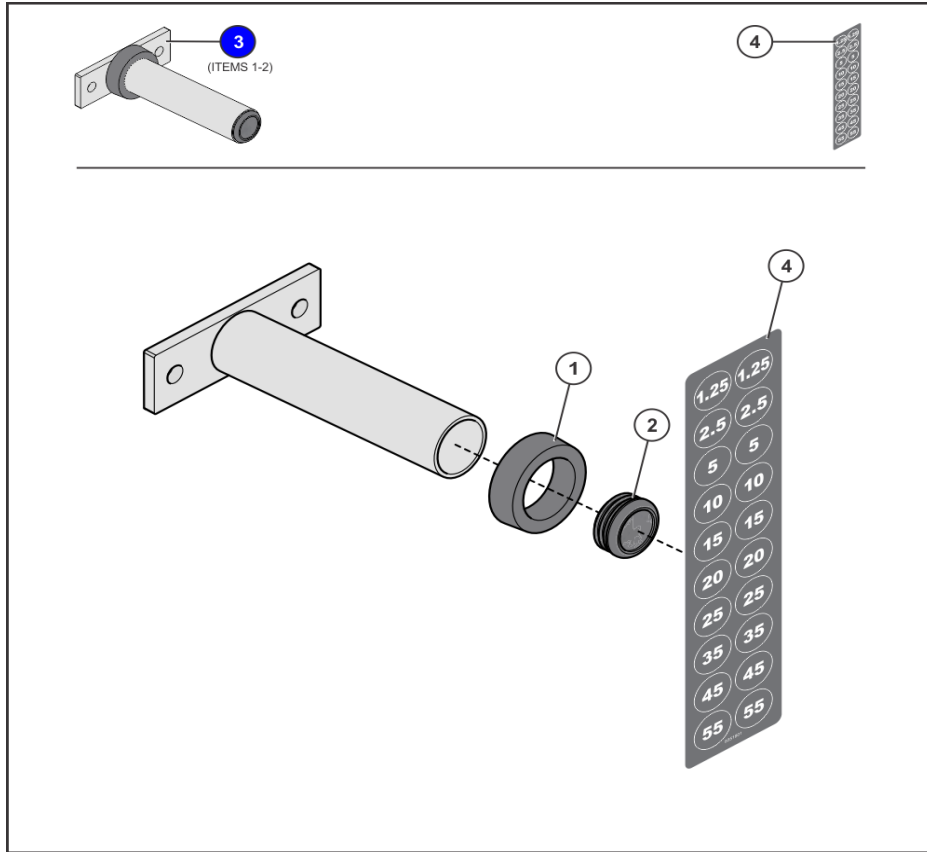
Ref #	Part Number	Qty	Description
1	1023255-0000	1	WELDMENT: TOP BALL STORAGE, HDU
2	HHB.5X4.5	2	1/2 X 4-1/2 BOLT
3	1018031-0002	2	WASHER: STEP, 1/2 IN., 0.57 IN. DEEP
4	1018031-0001	2	WASHER: STEP, 1/2 IN., 0.20 IN. DEEP
5	H-BACK-WASH	2	BACKING WASHER
6	NUT.5LOCK	2	1/2 THICK LOCK NUT

Storage - Utility



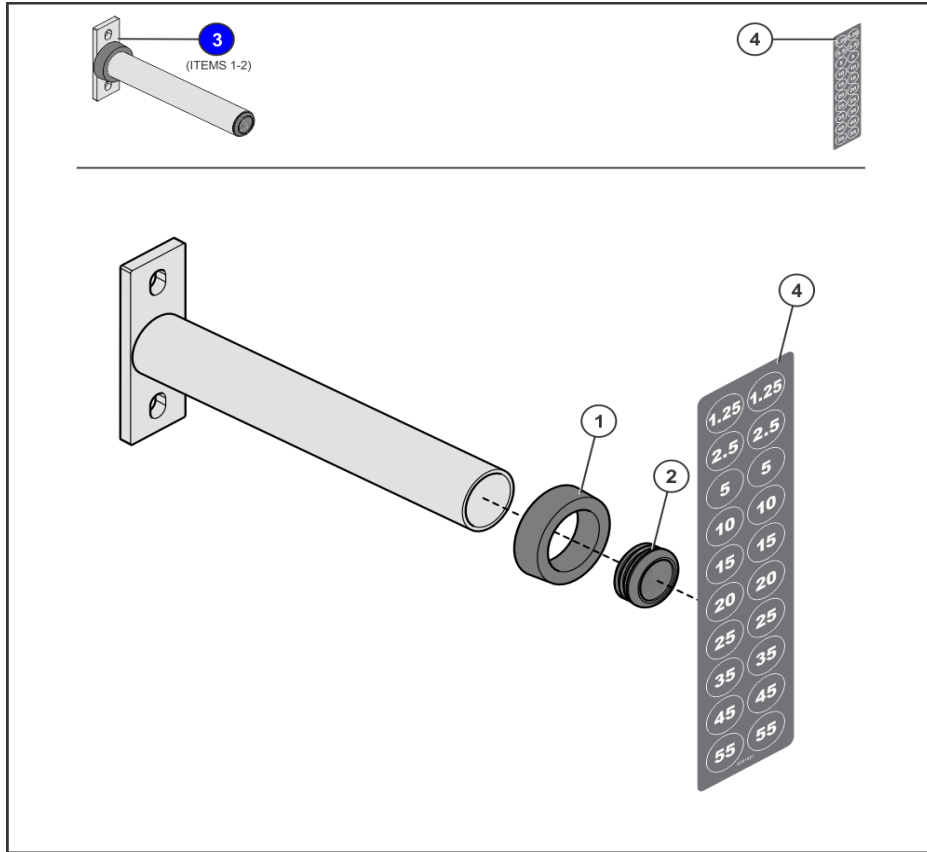
Ref #	Part Number	Qty	Description
1	1020229-0001	1	CAP: END, 3X3 8-14GA
2	1000968-0001	1	GUARD, PAINT, 3-1/4X2-7/8
3	1000971-0001	1	GUARD, PAINT, 75 DEG TAB
4	1001964-0001	1	GUARD, PAINT, 3X3
5	1021589-0001	1	ASSEMBLY: STORAGE POST

Storage - Weight Horn Horizontal



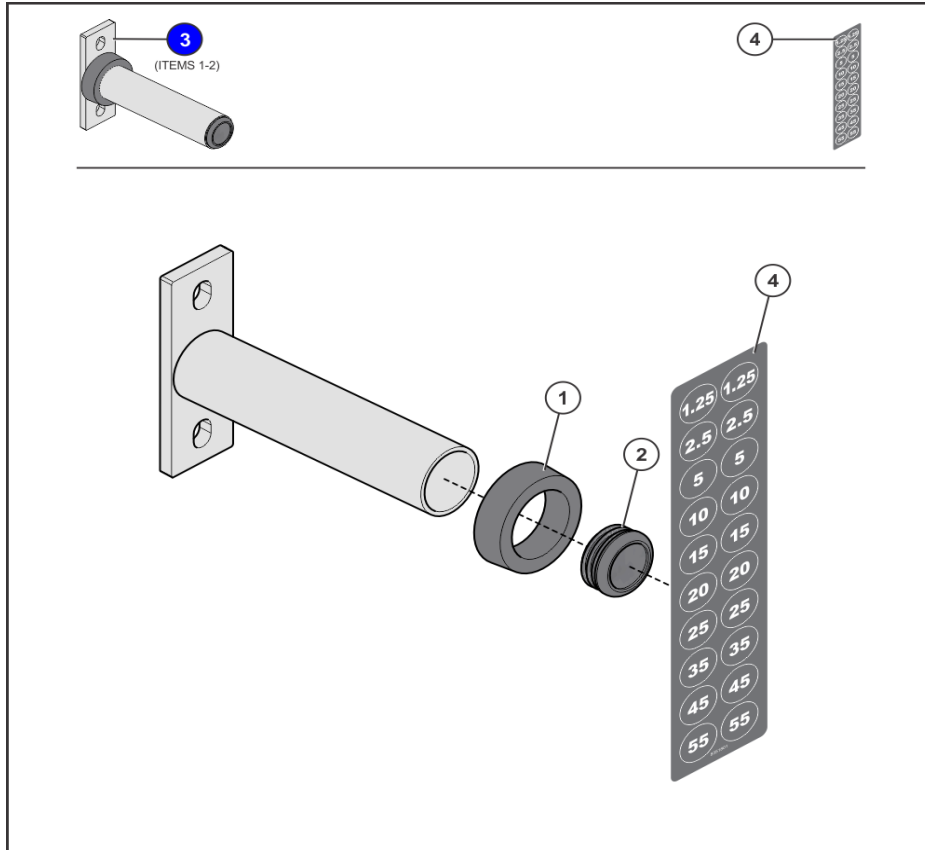
Ref #	Part Number	Qty	Description
1	7671601	1	BUMPER, WEIGHT HORN/ROD
2	8078001	1	CAP, END, 1.75OD, W/EMBOSS, 10-0125-011, BNR
3	1002183-0001	1	ASSY, WEIGHT HORN -HRZNTL
4	8351801	1	LABEL, WEIGHT HORN, SHEET

Storage - Weight Horn 11 Inch



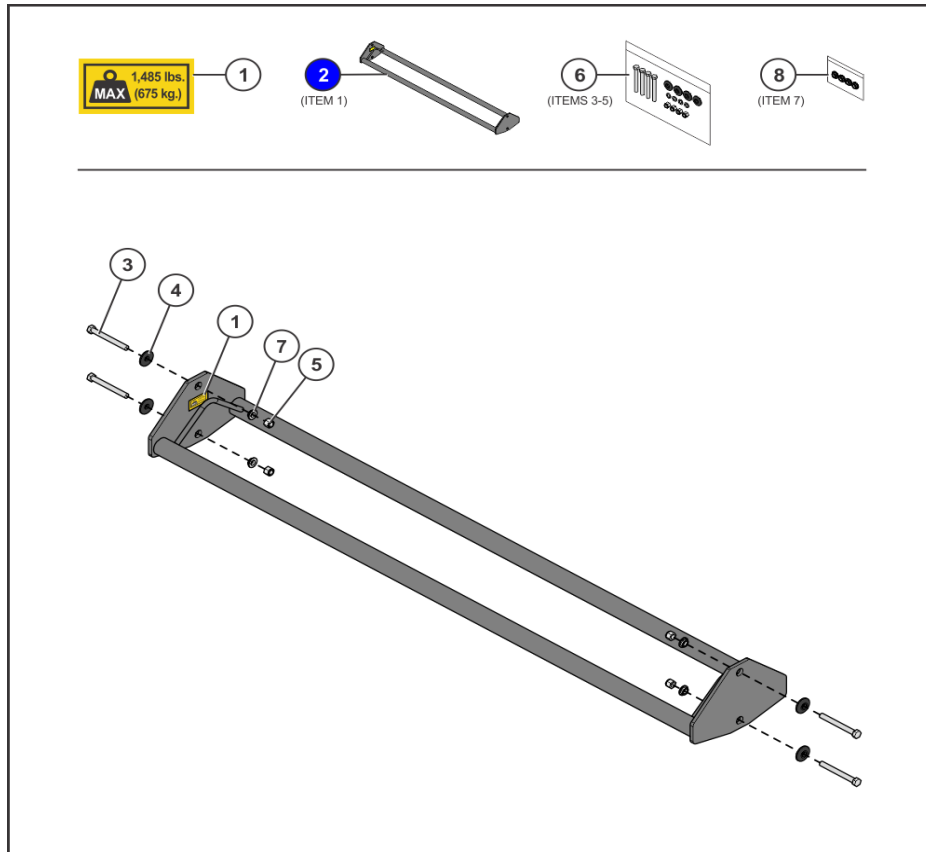
Ref #	Part Number	Qty	Description
1	7671601	1	BUMPER, WEIGHT HORN/ROD
2	8078001	1	CAP, END, 1.75OD, W/EMBOSS, 10-0125-011, BNR
3	1020085-0002	1	ASSEMBLY: WEIGHT HORN, 11"
4	8351801	1	LABEL, WEIGHT HORN, SHEET

Storage - Weight Horn 7 Inch



Ref #	Part Number	Qty	Description
1	7671601	1	BUMPER, WEIGHT HORN/ROD
2	8078001	1	CAP, END, 1.75OD, W/EMBOSS, 10-0125-011, BNR
3	1020085-0001	1	ASSEMBLY: WEIGHT HORN, 7"
4	8351801	1	LABEL, WEIGHT HORN, SHEET

Storage - 2-Pipe 72 Inch



Ref #	Part Number	Qty	Description
1	1001180-0001	1	LABEL, MAX CAPACITY, 1485 LB
2	1003007-0000	1	ASSY, AT, BP TRAY, 72, SUB
3	HHB.5X4.5	4	1/2 X 4-1/2 BOLT
4	H-BACK-WASH	4	BACKING WASHER
5	NUT.5LOCK	4	1/2 THICK LOCK NUT
6	1020109-0001	1	KIT: HARDWARE KIT 1, HDW
7	1018031-0001	4	WASHER: STEP, 1/2 IN., 0.20 IN. DEEP
8	1020115-0001	1	KIT: HARDWARE KIT 3, HDW

